

## Fifth Wheel Catalog



**Outboard Mount  
Air Slider**



**Inboard Mount  
Air Slider**



**Stationary Mounts**



**Service Tools**





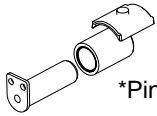
# TABLE OF CONTENTS

---

	Pages
<b>STANDARD TOPPLATE SPECIFICATIONS</b> .....	<b>1</b>
Fabricated Topplate JSK36NSL .....	<b>2</b>
Air Release Topplate .....	<b>3</b>
Cast Topplate JSK37U .....	<b>4</b>
Low Lube Topplate JSK37UW .....	<b>5</b>
Drop Handle & Internal Adjustment JSK37010 .....	<b>6</b>
<b>SPECIAL ORDER TOPPLATE OPTIONS</b> .....	<b>7</b>
<b>YARD SPOTTER TOPPLATE SPECIFICATIONS</b> .....	<b>8</b>
Yard Spotter Topplate JSK37Y .....	<b>9</b>
<b>REPLACEMENT TOPPLATE SPECIFICATIONS</b> .....	<b>10</b>
Replacement Topplate JSK37F/JSK37H .....	<b>11</b>
<b>SLIDING FIFTH WHEEL ASSEMBLIES</b> .....	<b>12-23</b>
Outboard Mount .....	<b>12-17</b>
Inboard Mount .....	<b>18-23</b>
<b>STATIONARY FIFTH WHEEL ASSEMBLIES</b> .....	<b>24-32</b>
Outboard Flat Plate Mount .....	<b>24-25</b>
Outboard Plate Mount .....	<b>26-27</b>
Inboard Angle Mount .....	<b>28-29</b>
Bracket for Angle Mount .....	<b>30-31</b>
Stationary Mounting Brackets .....	<b>32</b>
<b>NO-TILT CONVERTIBLE</b> .....	<b>33</b>
<b>FIFTH WHEEL ACCESSORIES</b> .....	<b>34-36</b>
Replacement Kits .....	<b>34</b>
Air Line Kits .....	<b>35</b>
Air Components .....	<b>36</b>
<b>MOUNTING ACCESSORIES</b> .....	<b>37-40</b>
Hardware Kits .....	<b>37</b>
Sliding Outboard Mounting Angle .....	<b>38</b>
Stationary Mounting Angles .....	<b>39</b>
Corrugated Mounting Plate .....	<b>40</b>
<b>SERVICE TOOLS</b> .....	<b>41</b>

## PART NUMBER MASTER

Fifth Wheel Product Line Code	Topplate Style	Code	Topplate Lube Type	Code	Topplate Release Type	Code	JOST Model Number*	Weight	Parts List found on page #	
<b>JSK</b>	Fabricated Topplate	<b>36N</b>	Standard	<b>S</b>	Left Hand Release	<b>L</b>	JSK 36NSL	210 lbs.	Page 2	
	Cast Topplate		Auto Lube		<b>A</b>	‡Air Release	<b>A</b>	JSK 37UAA	246 lbs.	Page 3
						Left Hand Retractable	<b>B</b>	JSK 37UAB	242 lbs.	Page 4
		Left Hand Release		<b>L</b>		JSK 37UAL	240 lbs.	Page 4		
		Standard	<b>S</b>	‡Air Release	<b>A</b>	JSK 37USA	246 lbs.	Page 3		
				Left Hand Retractable	<b>B</b>	JSK 37USB	242 lbs.	Page 4		
				Left Hand Release	<b>L</b>	JSK 37USL	240 lbs.	Page 4		
		**With Low Lube Plates	<b>W</b>	‡Air Release	<b>A</b>	JSK 37UWA	261 lbs.	Page 3 & 5		
				Left Hand Retractable	<b>B</b>	JSK 37UWB	257 lbs.	Page 5		
				Left Hand Release	<b>L</b>	JSK 37UWL	255 lbs.	Page 5		

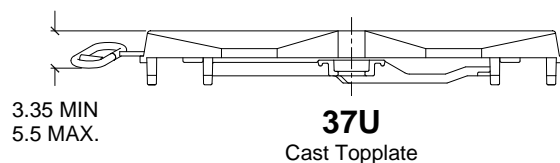
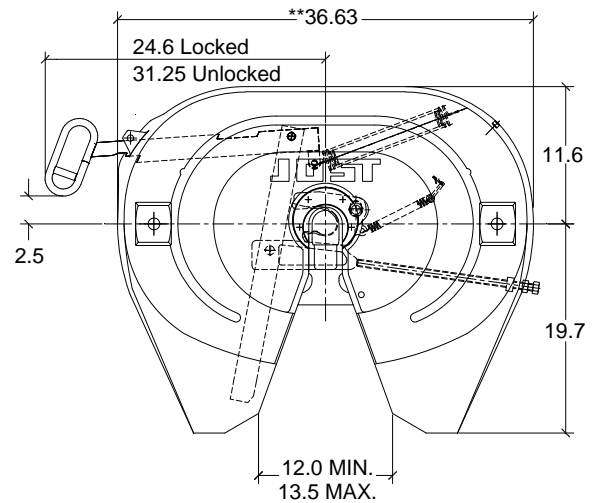
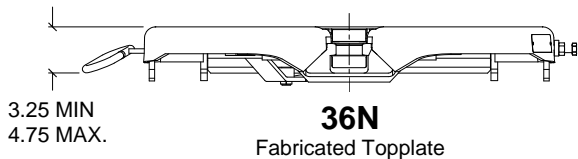
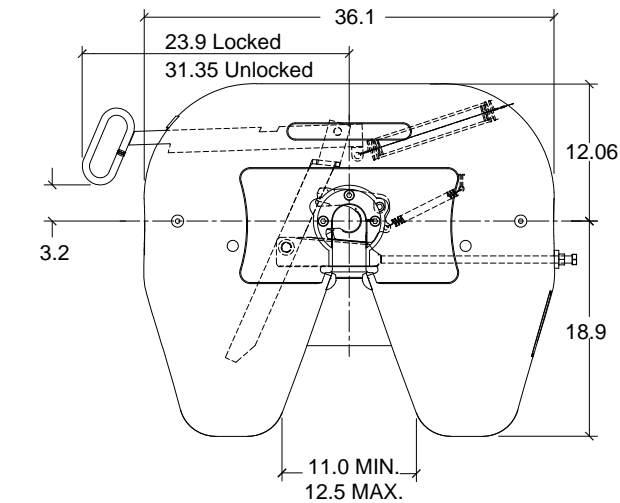


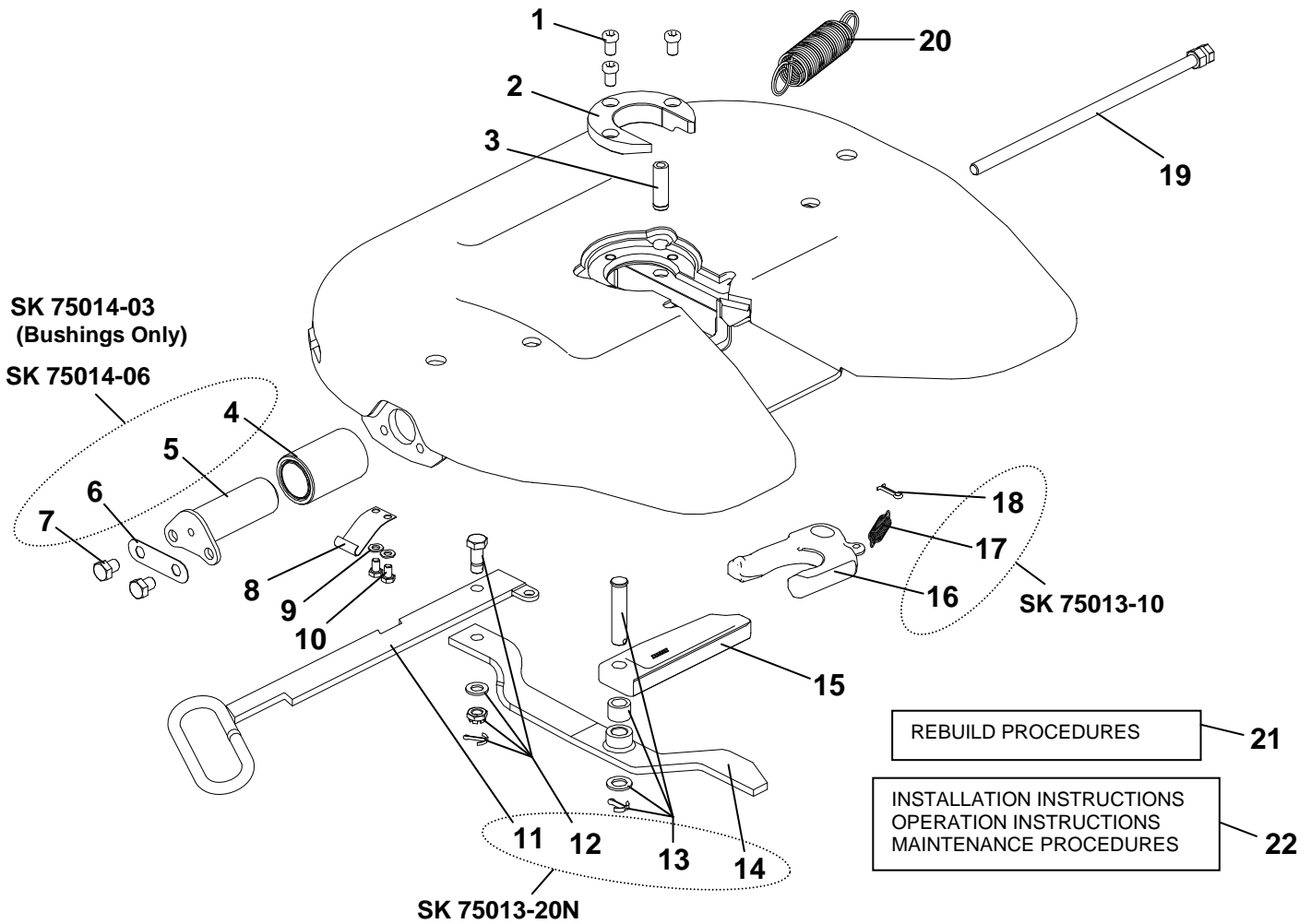
\*Pins, bushings & collars not included when ordering topplate only.

\*\* Low Lube Topplate width = 38.19"

‡ Jost International recommends that our manifold assembly kit be installed with the Air Release because it contains important safety interlock components (see pg. 36)

## DIMENSIONAL INFORMATION



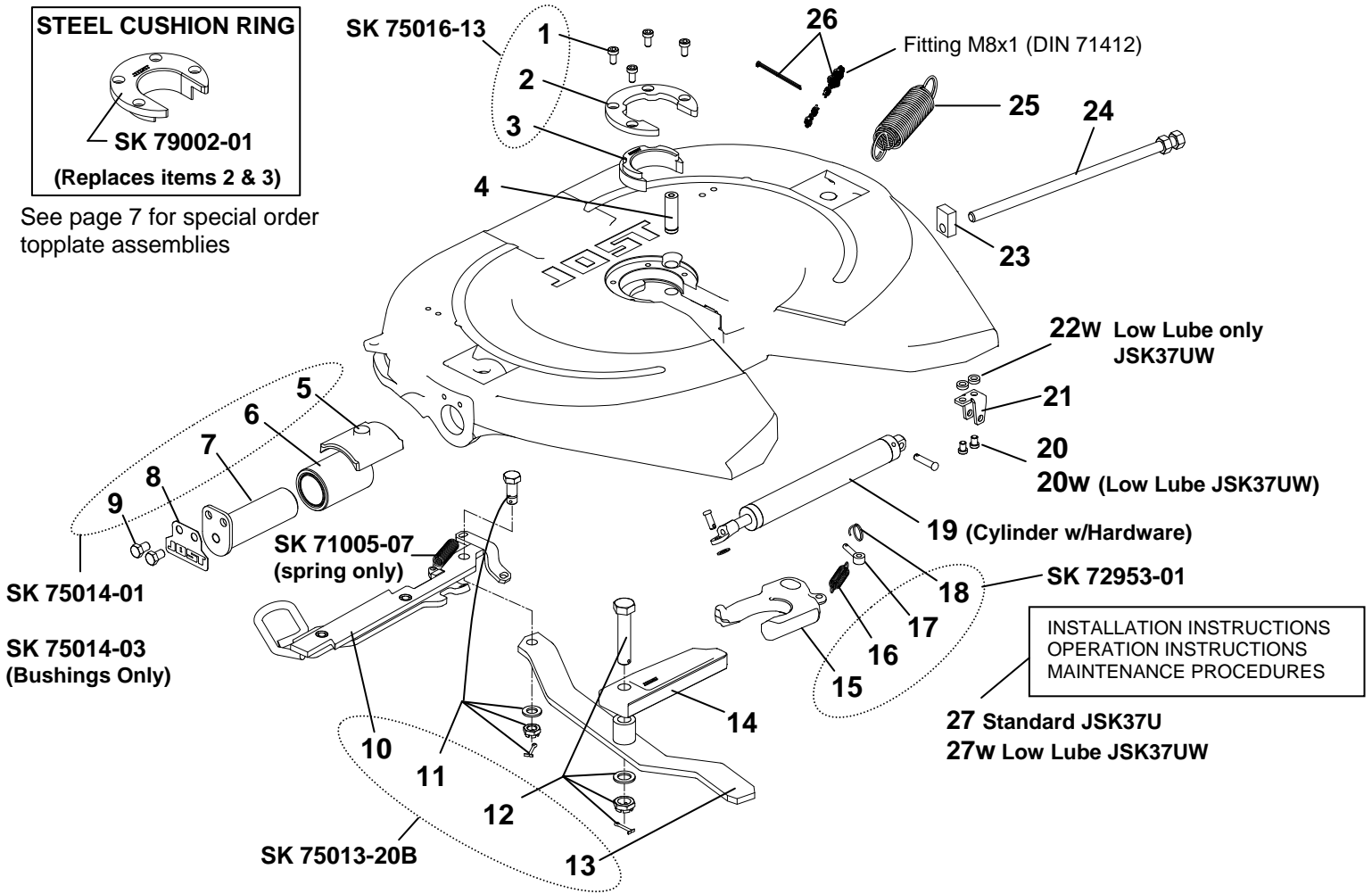


Item	Description	Part No.	Item	Description	Part No.
1	Wear ring bolt	NT0000005	12	Pivot bolt assembly	SK 3521-11
2	Wear ring	SK 2105-19	13	Locking bar bolt assembly	SK 2921-02
3	Lock jaw pivot pin	SK 2106-67	14	Lever	SK 2905-127
4	Rubber Bushing	SK 2905-94	15	Locking bar	SK 2905-06
5	Bracket pin – Ø50mm	SK 79011-19	16	Lock jaw	SK 1489L
6	Tab washer	SK 79026-02	17	Lock jaw spring	SK 847
7	5/8-11 x 3/4 lg. Hex bolt	SK 70202-31	18	Cotter pin	NT0000108
8	Plate spring	SK 70993-00	19	Adjusting screw with hex nut	SK 2905-51
9	Washer	NT0000040	20	Double tension spring	SK 3105-20
10	Hex bolt	NT0016000	21	Rebuild Procedures	LT SK36N-06
11	Release handle	SK 2905-125	22	Info Pack	SK 75020-13

Major Rebuild Kit		Minor Rebuild Kit (see pg. 34)	
<b>Complete Topplate -L.H. Only</b> Includes Items 1-21 above		<b>Cushion and Lock Jaw - L.H. Only</b> Includes Items 1- 3 &16-18	
<b>JOIST</b> Order Number	Weight	<b>JOIST</b> Order Number	Weight
SK 75013-04	34 lbs	SK 75013-05	7 lbs

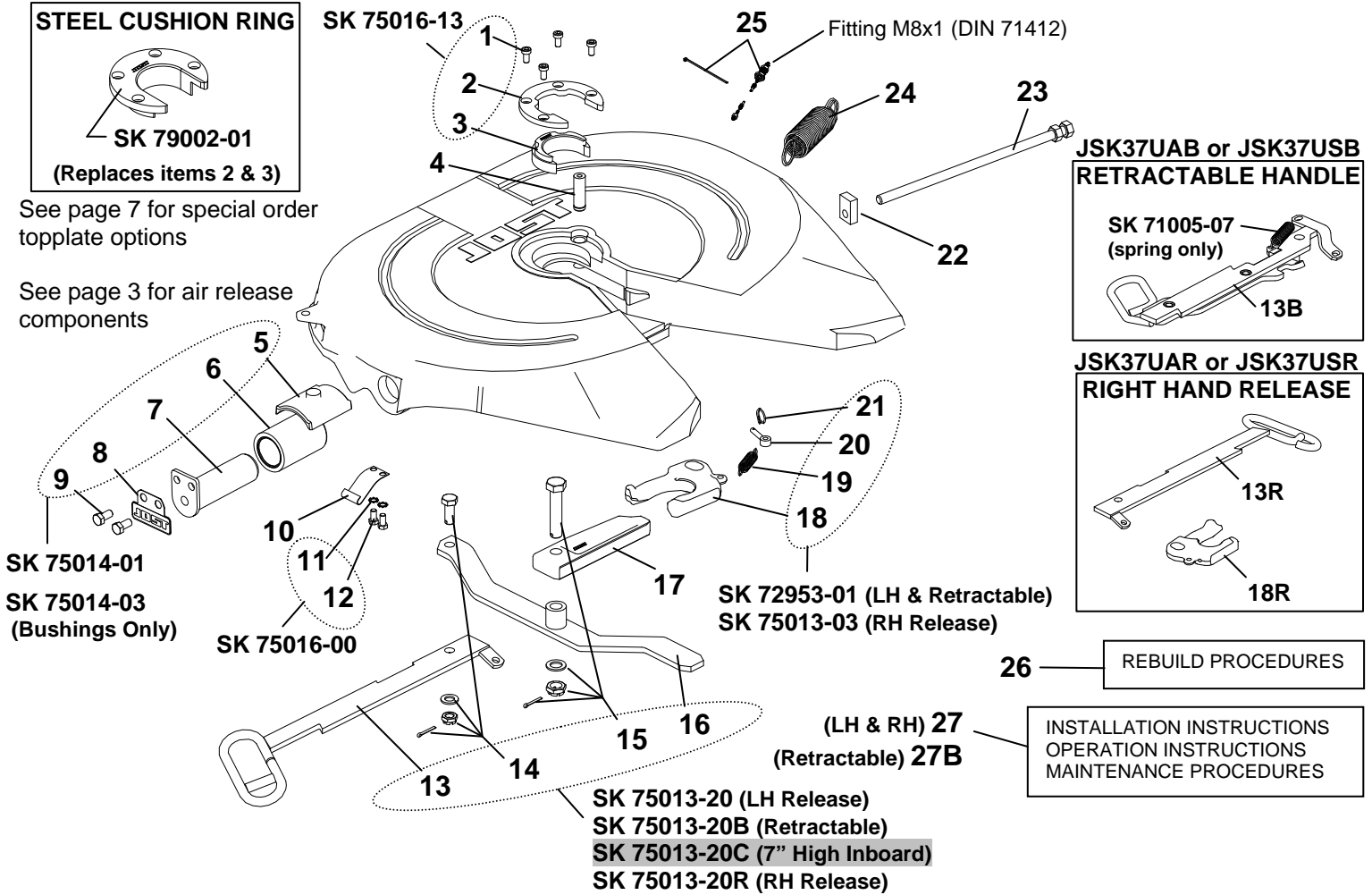
**STEEL CUSHION RING**  
SK 79002-01  
(Replaces items 2 & 3)

See page 7 for special order  
topplate assemblies



Item	Description	Part No.	Item	Description	Part No.
1	Cushion ring bolt	SK 73121-55	16	Lock jaw spring	SK 847
2	Retainer	SK 3105-93	17	Eye bolt	SK 2106-69
3	Cushion ring insert	SK 3105-92	18	Ring	SK 2106-70
4	Lock jaw pivot pin	SK 72106-67	19	Air cylinder w/hardware (see pg. 36)	SK 75015-05
5	Collar	SK 3105-95	20	3/8-16 x 1/2 lg. Low hd scr.	SK 70209-00
6	Rubber Bushing	SK 2905-94	20w	3/8-16 x 3/4 lg. Low hd scr. (Low Lube)	SK 73121-55
7	Bracket pin – Ø50mm	SK 79011-03	21	Cylinder mount	SK 79020-05
8	Tab washer	SK 73104-47	22w	Cylinder mount spacer (Low Lube only)	SK 79020-11
9	1/2-13 x 3/4 lg. Hex bolt	SK 70202-15	23	Guide piece	SK 73205-07
10	Retractable handle w/spring	SK 75016-04	24	Adjusting screw with hex nut	SK 3105-151
11	Pivot bolt assembly	SK 71513	25	Double tension spring	SK 3105-20
12	Locking bar bolt assembly	SK 73221-01	26	Lubricating kit	SK 3108-02
13	Lever with bushing	SK 3105-140	27	Info pack (standard JSK37U)	SK 75020-09
14	Locking bar	SK 3205-06	27w	Info pack (standard JSK37UW)	SK 75020-12
15	LH Lock jaw	SK 1489LZ			

Major Rebuild Kit			Minor Rebuild Kit (see pg. 34)	
Complete Topplate			Cushion and Lock Jaw	
Includes Items 1-27 above			Includes Items 1-4, 15-18 & 26 above	
Topplate	Order Number	Weight	Order Number	Weight
37UAA, 37USA	SK 75013-16	33 lbs.	SK 73221-50Z	6 lbs.
37UWA	SK 75013-19	33 lbs.		



Item	Description	Part No.	Item	Description	Part No.
1	Cushion ring bolt	SK 73121-55	15	Locking bar bolt assembly	SK 73221-01
2	Retainer	SK 3105-93	16	Lever with bushing	SK 3105-140
3	Cushion ring insert	SK 3105-92	16C	LH Lever – 7" high inboard	SK 79003-00
4	Lock jaw pivot pin	SK 72106-67	17	Locking bar	SK 3205-06
5	Collar	SK 3105-95	18	LH Lock jaw	SK 1489LZ
6	Bushing	SK 2905-94	18R	RH Lock jaw	SK 1489Z
7	Bracket pin – Ø50mm	SK 79011-03	19	Lock jaw spring	SK 847
8	Tab washer	SK 73104-47	20	Eye bolt	SK 2106-69
9	1/2-13 x 3/4 lg. Hex bolt	SK 70202-15	21	Ring	SK 2106-70
10	Plate spring	SK 70993-00	22	Guide piece	SK 73205-07
11	External tooth lock washer	SK 70301-00	23	Adjusting screw with hex nut	SK 3105-151
12	Hex bolt	SK 73121-28B	24	Double tension spring	SK 3105-20
13	LH Release handle	SK 73105-15	25	Lubricating kit	SK 3108-02
13B	Retractable Handle w/spring	SK 75016-04	26	Rebuild Procedures	LT JSK37-03
13R	RH Release handle	SK 79009-27	27	Info Pack (LH & RH Release)	SK 75020-01
14	Pivot bolt assembly	SK 71513	27B	Info Pack (Retractable)	SK 75020-05

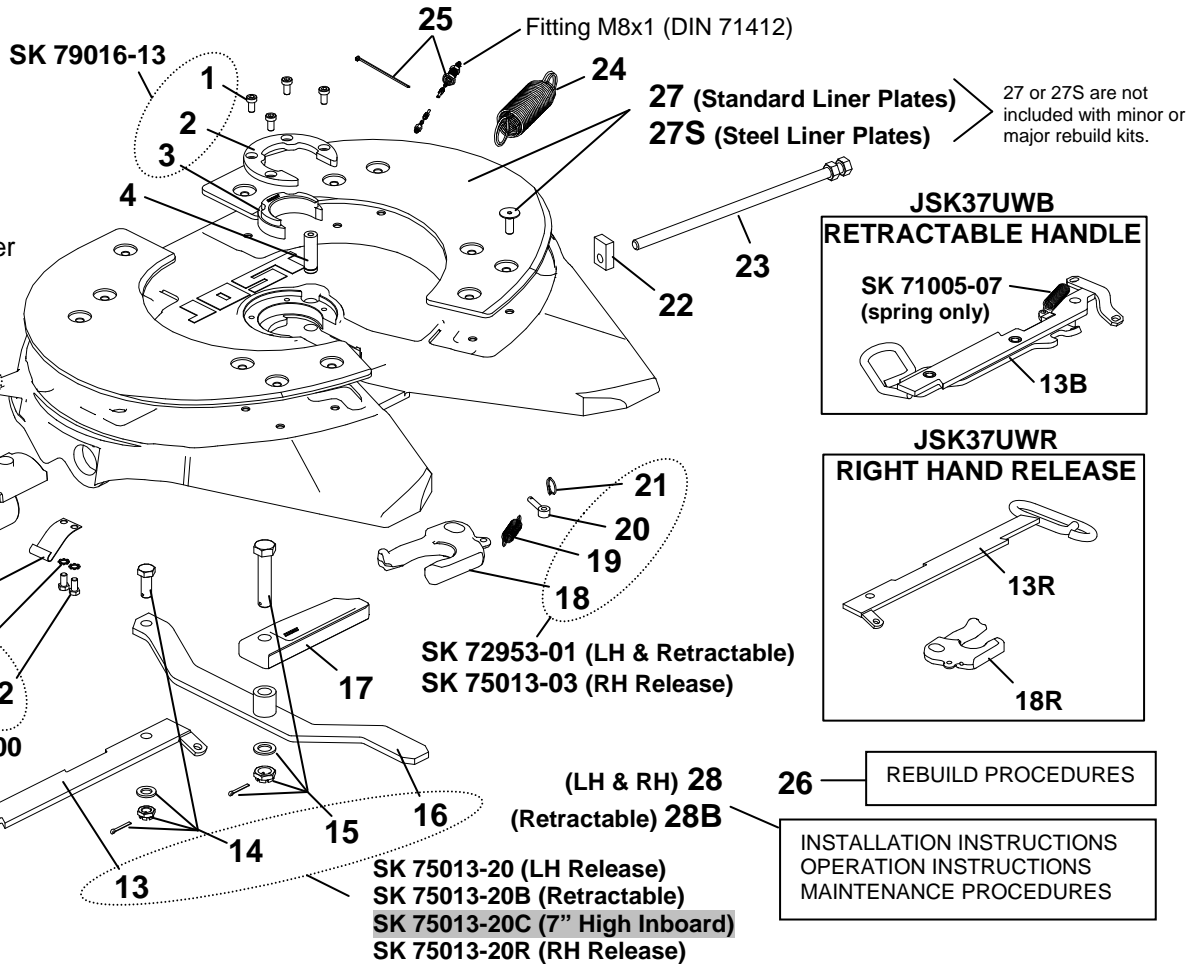
Major Rebuild Kit			Minor Rebuild Kit (see pg. 34)	
Complete Topplate			Cushion and Lock Jaw	
Includes Items 1-26 above			Includes Items 1-4, 18-21 & 25 above	
Model number	<b>JOST</b> Order Number	Weight	<b>JOST</b> Order Number	Weight
37UAB, 37USB	SK 75013-09	35 lbs.	SK 73221-50Z	6 lbs.
37UAL, 37USL	SK 75013-00	33 lbs.		
37UAR, 37USR	SK 75013-01	33 lbs.		

\*See part number master on page 1 for complete part number options.

**STEEL CUSHION RING**


See page 7 for special order topplate assemblies

See page 3 for air release components

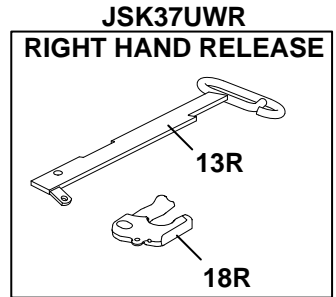


**SK 75014-01**  
**SK 75014-03**  
(Bushings Only)

**SK 75016-00**

**SK 72953-01 (LH & Retractable)**  
**SK 75013-03 (RH Release)**

**SK 75013-20 (LH Release)**  
**SK 75013-20B (Retractable)**  
**SK 75013-20C (7" High Inboard)**  
**SK 75013-20R (RH Release)**



**REBUILD PROCEDURES**

INSTALLATION INSTRUCTIONS  
OPERATION INSTRUCTIONS  
MAINTENANCE PROCEDURES

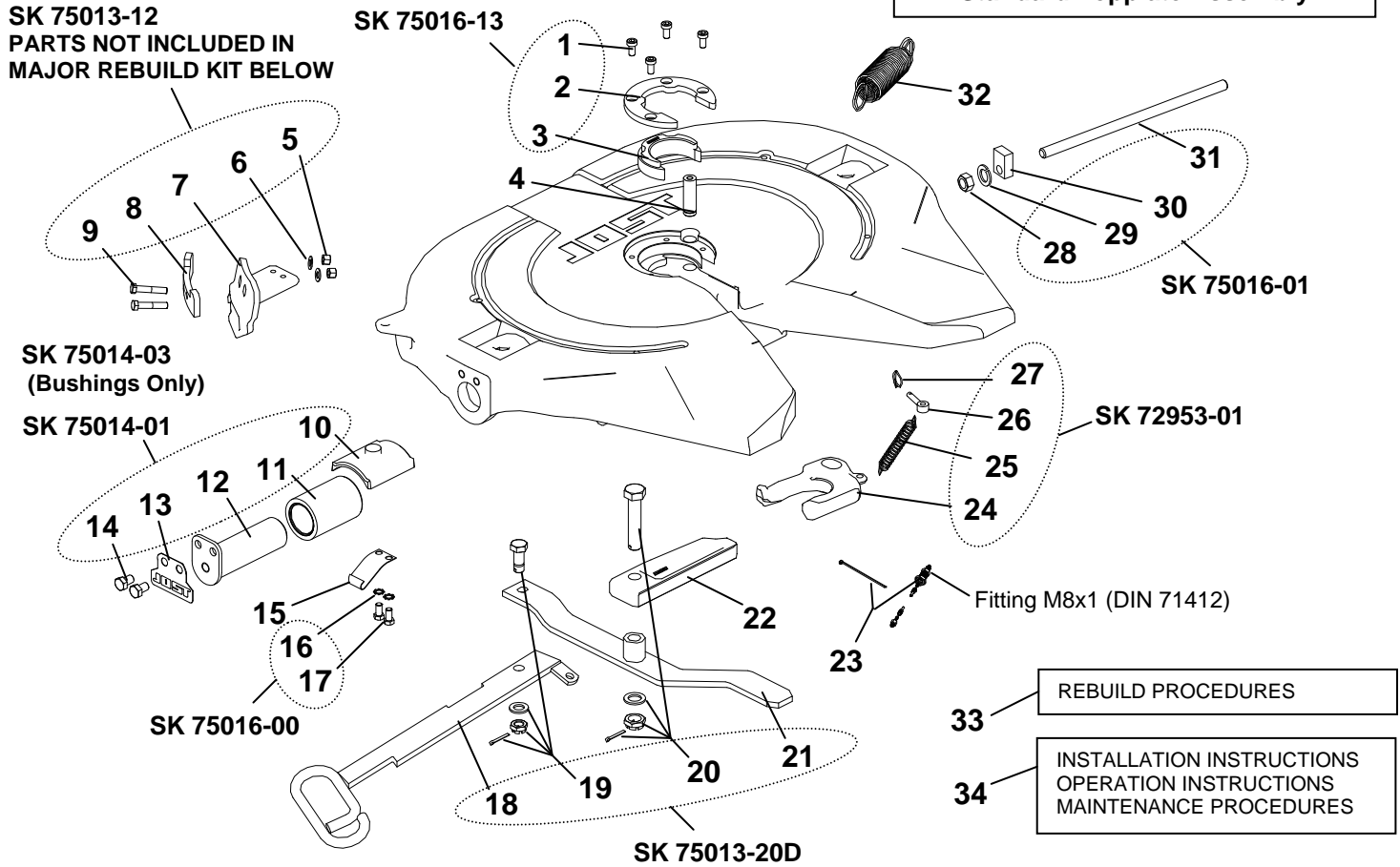
Item	Description	Part No.	Item	Description	Part No.
1	Cushion ring bolt	SK 73121-55	16	Lever with bushing	SK 3105-140
2	Retainer	SK 3105-93	16C	LH Lever – 7" high inboard	SK 79003-00
3	Cushion ring insert	SK 3105-92	17	Locking bar	SK 3205-06
4	Lock jaw pivot pin	SK 72106-67	18	LH Lock jaw	SK 1489LZ
5	Collar	SK 3105-95	18R	RH Lock jaw	SK 1489Z
6	Bushing	SK 2905-94	19	Lock jaw spring	SK 847
7	Bracket pin – Ø50mm	SK 79011-03	20	Eye bolt	SK 2106-69
8	Tab washer	SK 73104-47	21	Ring	SK 2106-70
9	1/2-13 x 3/4 lg. Hex bolt	SK 70202-15	22	Guide piece	SK 73205-07
10	Plate spring	SK 70993-00	23	Adjusting screw with hex nut	SK 3105-151
11	External tooth lock washer	SK 70301-00	24	Double tension spring	SK 3105-20
12	Hex bolt	SK 73121-28B	25	Lubricating kit	SK 3108-02
13	LH Release handle	SK 73105-15	26	Rebuild Procedures	LT JSK37-03
13B	Retractable Handle w/spring	SK 75016-04	27	Liner plates & Bolts (Standard)	SK 3106-003
13R	RH Release handle	SK 79009-27	27S	Liner plates & Bolts (Steel)	SK 79004-01
14	Pivot bolt assembly	SK 71513	28	Info Pack (LH & RH)	SK 75020-02
15	Locking bar bolt assembly	SK 73221-01	28B	Info Pack (Retractable)	SK 75020-11

Major Rebuild Kit			Minor Rebuild Kit (see pg. 34)	
Complete Rebuild Kit			Cushion and Lock Jaw	
Includes Items 1-26 above			Includes Items 1-4, 18-21 & 25 above	
Model number	<b>JOST</b> Order Number	Weight	<b>JOST</b> Order Number	Weight
37UWB	SK 75013-09	35 lbs.	SK 73221-50Z	6 lbs.
37UWL	SK 75013-00	33 lbs.		
37UWR	SK 75013-01	33 lbs.		

\*See part number master on page 1 for complete part number options.

Release handle lowered and Adjustment Screw located under the Topplate to avoid Kingpin damage when a miscouple occurs. Option is only available with stationary mounts above 6" high (see page 32).

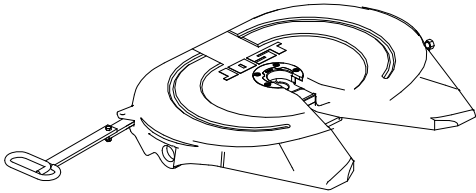
**Drop Handle option adds 5 lbs. to Standard Topplate Assembly**



Item	Description	Part No.	Item	Description	Part No.
1	Cushion ring bolt	SK 73121-55	18	LH Release handle	SK 73105-15
2	Retainer	SK 3105-93	19	Pivot bolt assembly	SK 71513
3	Cushion ring insert	SK 3105-92	20	Locking bar bolt assembly	SK 73221-01
4	Lock jaw pivot pin	SK 72106-67	21	LH Drop handle lever w/bushing	SK 79024-03
5	3/8-16 Lock nut	SK 70401-02	22	Locking bar	SK 3205-06
6	Flat washer	SK 70302-05	23	Lubricating kit	SK 3108-02
7	Drop handle guide	SK 79024-02	24	LH Lock jaw	SK 1489LZ
8	Cover plate	SK 79024-01	25	Lock jaw spring	SK 847
9	3/8-16 x 2" lg. Hex bolt	SK 70202-14	26	Eye bolt	SK 2106-69
10	Collar	SK 3105-95	27	Ring	SK 2106-70
11	Bushing	SK 2905-94	28	Jam nut	NT 0000201
12	Bracket pin – Ø50mm	SK 79011-03	29	Lock Washer	SK 70303-63
13	Tab washer	SK 73104-47	30	Guide piece	SK 73205-07
14	1/2-13 x 3/4 lg. Hex bolt	SK 70202-15	31	Internal adjusting screw	SK 79010-02
15	Plate spring	SK 70993-01	32	Double tension spring	SK 3105-20
16	External tooth lock washer	SK 70301-00	33	Rebuild Procedures	LT JSK37-03
17	Hex bolt	SK 73121-28B	34	Info Pack	SK 75020-03

Major Rebuild Kit		Minor Rebuild Kit (see pg. 34)	
<b>Complete Rebuild Kit</b> Includes Items 1-4 & 10-33 above		<b>Cushion and Lock Jaw</b> Includes Items 1-4, 23-27 above	
<b>JOIST</b> Order Number	Weight	<b>JOIST</b> Order Number	Weight
SK 75013-11	33 lbs.	SK 73221-50Z	6 lbs.



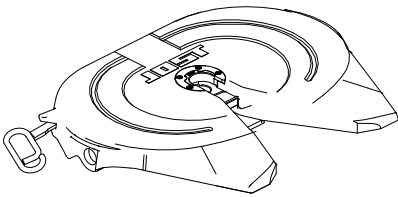


Release Handle extended to improve accessibility when using fenders.

Option is available with all mounting configurations.

Option adds 2 lbs. to standard weights.

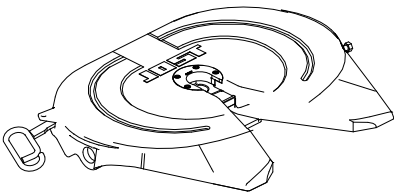
<b>Extended Handle</b>		
<b>JOST</b> Order Number*	Topplate Style	Crossover to Standard Wheel
JSK 37001	Standard LH Release	JSK 37USL
JSK 37002	Low Lube LH Release	JSK 37UWL
JSK 37003	“H” Style Replacement	JSK 37HSL



Adjustment Screw located under the Topplate to hide from view and avoid Kingpin damage when a miscouple occurs.

Option is available with all mounting configurations.

<b>Internal Adjustment</b>		
<b>JOST</b> Order Number*	Topplate Style	Crossover to Standard Wheel
JSK 37015	Standard LH Release	JSK 37USL
JSK 37020	Standard Air Release	JSK 37USA
JSK 37017	“H” Style Replacement	JSK 37HSL

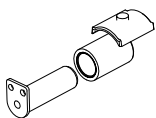


Steel Wear Ring is designed for environments that are hard on the throat.

Option is available with all mounting configurations.

Option adds 1 lb. to standard weights.

<b>Steel Wear Ring</b>		
<b>JOST</b> Order Number*	Topplate Style	Crossover to Standard Wheel
JSK 37011	Standard LH Release	JSK 37USL
JSK 37074	Retractable Handle	JSK 37USB
JSK 37075	Standard Air Release	JSK 37USA
JSK 37073	“H” Style Replacement	JSK 37HSL
JSK 37058	“F” Style Replacement	JSK 37FSL



\*Pins, bushings & collars not included when ordering the topplate only.

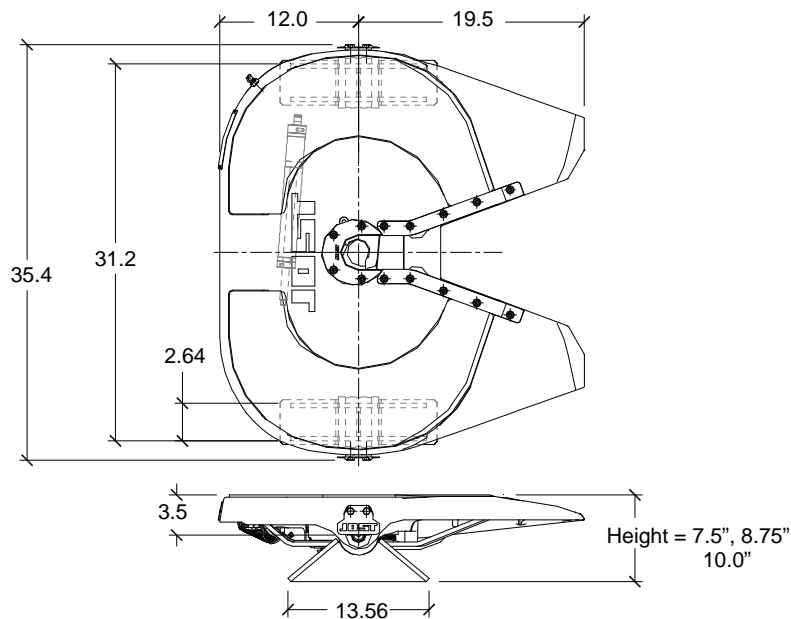
\*Order numbers listed are for topplate assemblies only. To order fifth wheel assemblies add the desired mounting configuration number to the end of the topplate assembly (Example: JSK 37001-A7PX24).

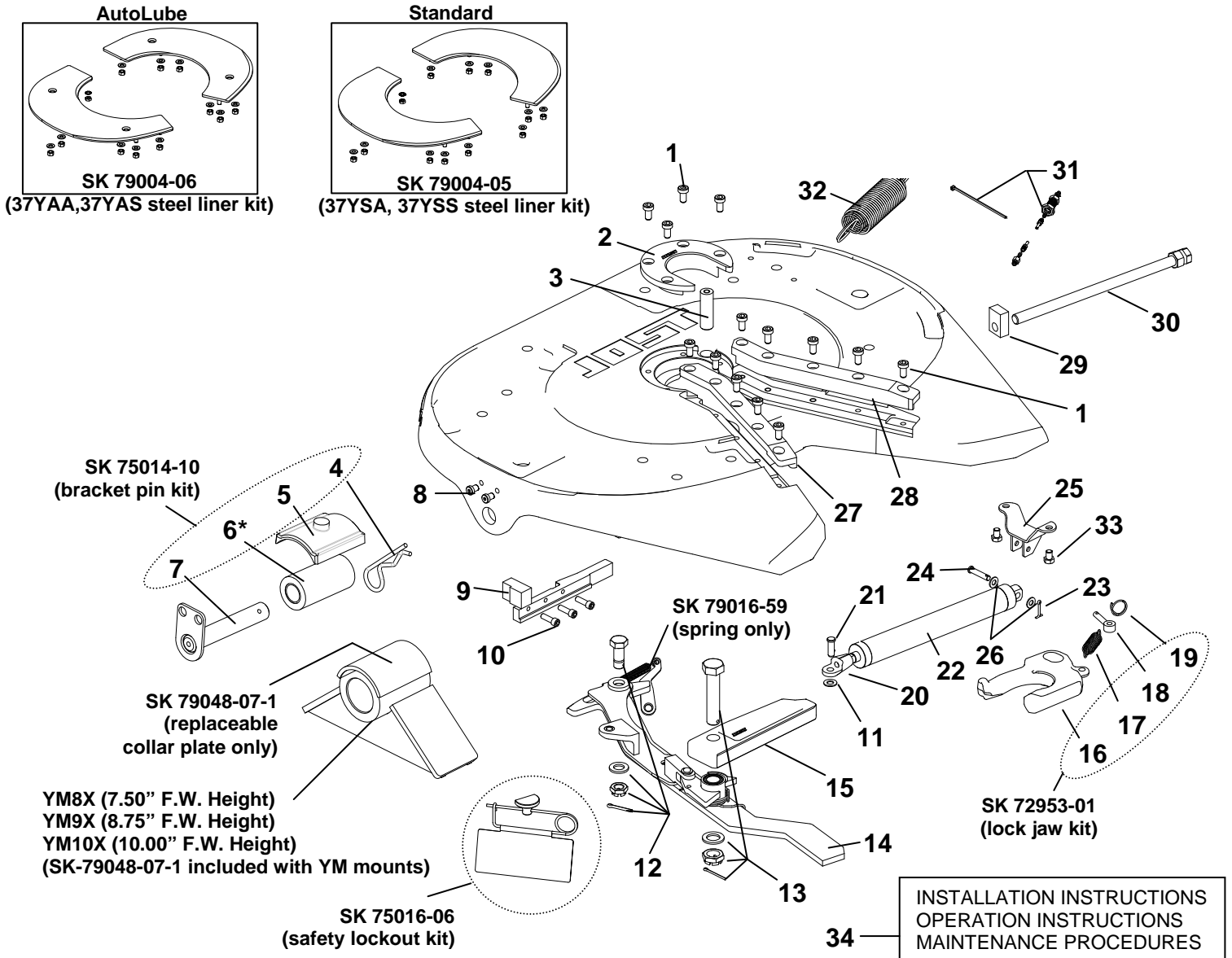
## PART NUMBER MASTER

Fifth Wheel Product Line Code	Topplate Style	Code	Topplate Lube Type	Code	Topplate Release Type	Code	Bracket Style	Code	Fifth Wheel Height	Code	JOST Model Number
<b>JSK</b>	Cast Topplate	<b>37Y</b>	Auto Lube	<b>A</b>	Air Release	<b>A</b>	Bracket Mount	<b>YM</b>	7.5"	<b>8X</b>	JSK 37YAA-YM8X
									8.75"	<b>9X</b>	JSK37YAA-YM9X
							10"	<b>10X</b>	JSK37YAA-YM10X		
							*Replacement	<b>H</b>	N/A	-	JSK37YAA-H*
					Air Release w/Safety Lockout	<b>S</b>	Bracket Mount	<b>YM</b>	7.5"	<b>8X</b>	JSK 37YAS-YM8X
									8.75"	<b>9X</b>	JSK37YAS-YM9X
							10"	<b>10X</b>	JSK37YAS-YM10X		
							*Replacement	<b>H</b>	N/A	-	JSK37YAS-H*
			Standard	<b>S</b>	Air Release	<b>A</b>	Bracket Mount	<b>YM</b>	7.5"	<b>8X</b>	JSK 37YSA-YM8X
									8.75"	<b>9X</b>	JSK37YSA-YM9X
							10"	<b>10X</b>	JSK37YSA-YM10X		
							*Replacement	<b>H</b>	N/A	-	JSK37YSA-H*
					Air Release w/Safety Lockout	<b>S</b>	Bracket Mount	<b>YM</b>	7.5"	<b>8X</b>	JSK 37YSS-YM8X
									8.75"	<b>9X</b>	JSK37YSS-YM9X
							10"	<b>10X</b>	JSK37YSS-YM10X		
							*Replacement	<b>H</b>	N/A	-	JSK37YSS-H*

\* Replacement model numbers are designed to fit over the existing mounting brackets. These include bracket pins only. They do not include mounting brackets or bushings.

## DIMENSIONAL INFORMATION





\* Bushings are for Jost mounting brackets only.

Item	Description	Part No.	Item	Description	Part No.	Item	Description	Part No.
1	Cushion ring bolt	SK 73121-55	13	Locking bar bolt kit	SK 73221-01	25	Cylinder bracket	SK 79016-71
2	Cushion Ring	SK 79002-01	14	Release arm asm	SK 79016-62	26	Washer	SK 70302-03
3	Lock jaw pivot pin	SK 72106-67	15	Locking bar	SK 79053-00	27	LH Throat guide	SK 79052-02
4	Hair pin	SK 70107-01	16	LH Lock jaw	SK 1489LZ	28	RH Throat guide	SK 79052-01
5	Collar	SK 73105-95	17	Lock jaw spring	SK 847	29	Guide piece	SK 73205-07
*6	Bushing (Jost Only)	SK 79016-75	18	Eye bolt	SK 2106-69	30	Adjusting screw w/nut	SK 79010-05
7	Bracket pin - Ø1-1/8"	SK 79016-76	19	Ring	SK 2106-70	31	Lubricating kit	SK 3108-02
8	Bracket pin bolt	SK 79016-79	20	Cylinder clevis	SK 79020-06	32	Double tension spring	SK 3105-20
9	Lock/Unlock plate	SK 79016-22	21	Clevis pin	SK 70105-01	33	3/8-16 Hex Bolt	SK 70202-32
10	5/16-18 SHCS	SK 70204-08	22	Cylinder	SK 79020-04	34	Info Pack	SK 75020-21
11	Flat Washer	SK 70302-02	23	Clevis pin	SK 70102-08			
12	Pivot bolt kit	SK 71513	24	Cotter pin	SK 70101-03			

Major Rebuild Kit			Minor Rebuild Kit	
<b>Complete Rebuild Kit</b>			<b>Throat and Lock Jaw</b>	
Includes Items 1-33 above with steel liner kit			Includes Items 1-3, 16-19, 27-28 & 31	
Model Number	<b>JOIST</b> Order Number	Weight	<b>JOIST</b> Order Number	Weight
37YAA, 37YAS	SK 75013-34	53 lbs	SK 75013-24	16 lbs
37YSA, 37YSS	SK 75013-23	53 lbs		

## PART NUMBER MASTER

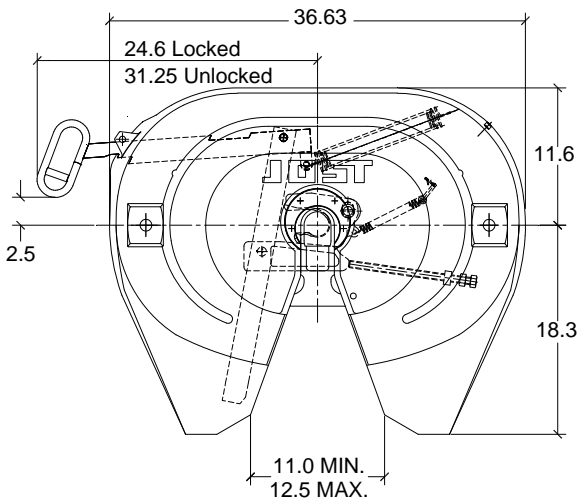
Fifth Wheel Product Line Code	Topplate Style	Code	Topplate Lube Type	Code	Topplate Release Type	Code	JOST Model Number†	Weight
<b>JSK</b>	Field Replacement	<b>37F</b>	Auto Lube	<b>A</b>	Left Hand Release	<b>L</b>	JSK 37FAL*	240 lbs.
			Standard	<b>S</b>			JSK 37FSL*	240 lbs.
	Holland™ Replacement	<b>37H</b>	Auto Lube	<b>A</b>	Left Hand Release	<b>L</b>	JSK 37HAL**	255 lbs.
			Standard	<b>S</b>			JSK 37HSL**	255 lbs.

\* The JSK37F topplate increases fifth wheel height by 5/16".

\*\* The JSK37H topplate increases fifth wheel height by 3/4".

† Model numbers are designed to fit over the existing mounting brackets. These include bracket pins only. They do not include mounting brackets or bushings.

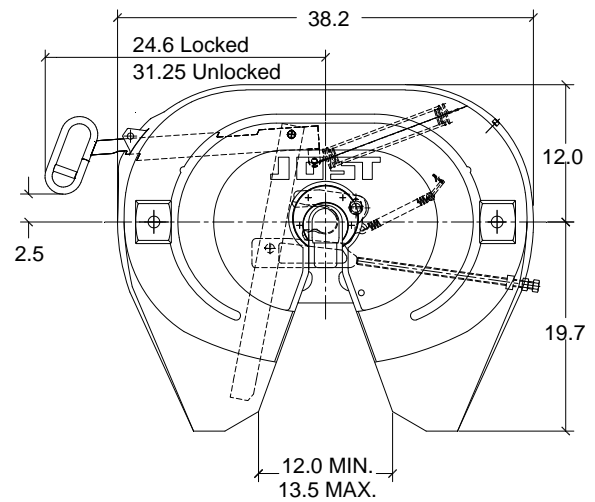
## DIMENSIONAL INFORMATION



3.35 MIN.  
5.5 MAX.

**37F**

Field Replacement Cast Topplate\*

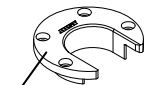


3.35 MIN.  
5.5 MAX.

**37H**

Holland™ Replacement Cast Topplate\*\*

#### STEEL CUSHION RING

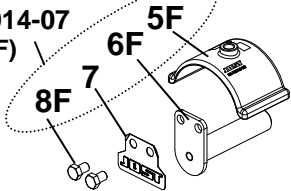


**SK 79002-01**

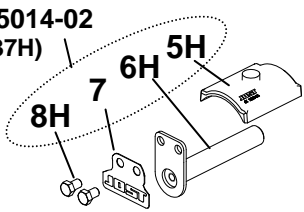
(Replaces items 2 & 3)

See page 7 for special order  
topplate assemblies

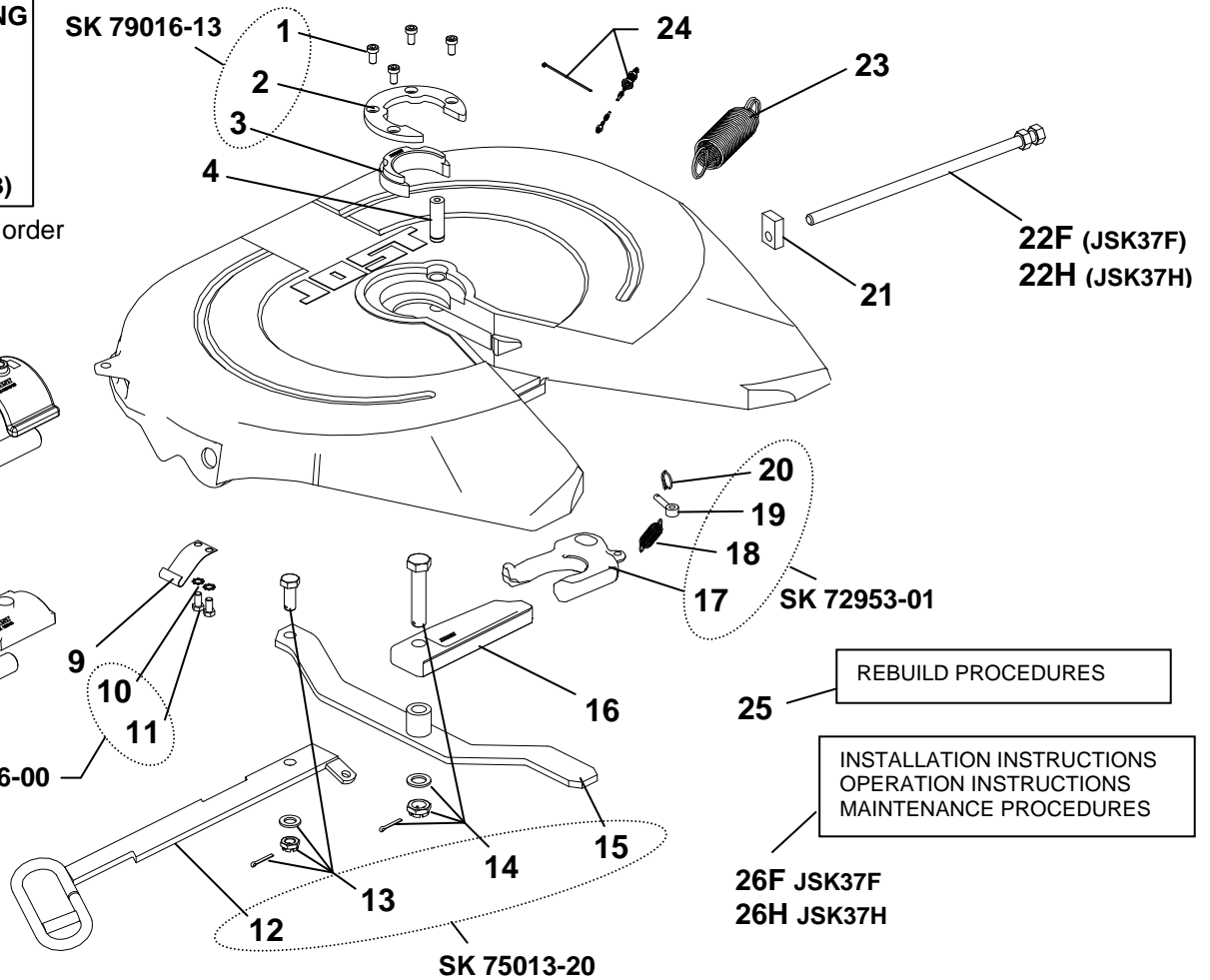
**SK 75014-07  
(JSK37F)**



**SK 75014-02  
(JSK37H)**



**SK 75016-00**

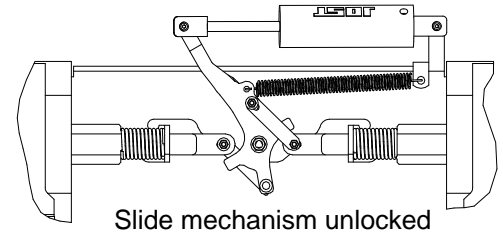
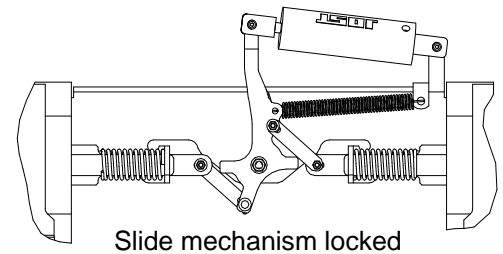
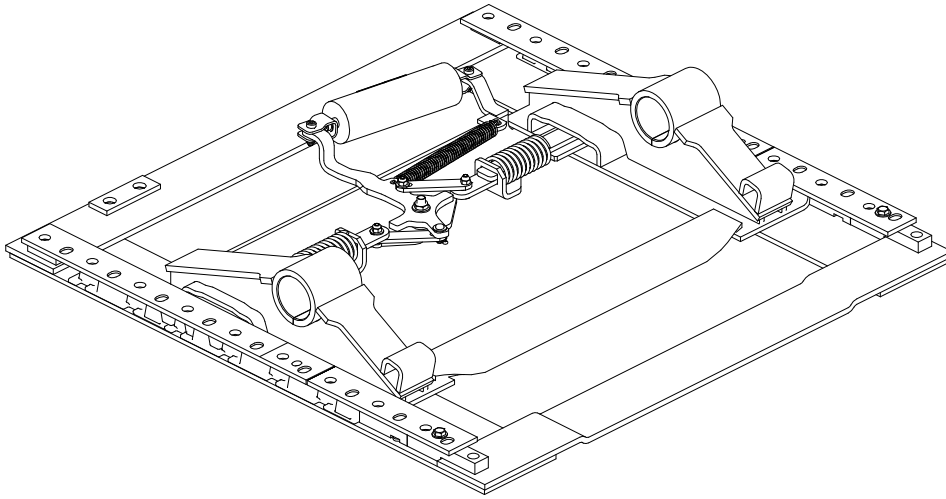


REBUILD PROCEDURES

INSTALLATION INSTRUCTIONS  
OPERATION INSTRUCTIONS  
MAINTENANCE PROCEDURES

Item	Description	Part No.	Item	Description	Part No.
1	Cushion ring bolt	SK 73121-55	14	Locking bar bolt assembly	SK 73221-01
2	Retainer	SK 3105-93	15	Lever with bushing	SK 3105-140
3	Cushion ring insert	SK 3105-92	16	Locking bar	SK 3205-06
4	Lock jaw pivot pin	SK 72106-67	17	Lock jaw	SK 1489LZ
5F	Collar (JSK37F)	SK 79048-02	18	Lock jaw spring	SK 847
5H	Collar (JSK37H)	SK 73105-95	19	Eye bolt	SK 2106-69
6F	Bracket Pin (JSK37F) – Ø1-1/4"	SK 79011-12	20	Ring	SK 2106-70
6H	Bracket Pin (JSK37H) – Ø1-1/8"	SK 73104-05	21	Guide piece	SK 73205-07
7	Tab washer	SK 73104-47	22F	Adjusting screw (JSK37F)	SK 79010-07
8F	1/2-13 x 3/4 lg. Hex bolt (JSK37F)	SK 70202-15	22H	Adjusting screw (JSK37H)	SK 3105-151
8H	3/8-16 x 3/4 lg. Hex bolt (JSK37H)	SK 73121-28B	23	Double tension spring	SK 3105-20
9	Plate spring	SK 70993-00	24	Lubricating kit	SK 3108-02
10	External tooth lock washer	SK 70301-00	25	Rebuild Procedures	LT JSK37-03
11	Hex bolt	SK 70202-09	26F	Info pack (standard JSK37F)	SK 75020-22
12	Release handle	SK 73105-15	26H	Info pack (standard JSK37H)	SK 75020-14
13	Pivot bolt assembly	SK 71513			

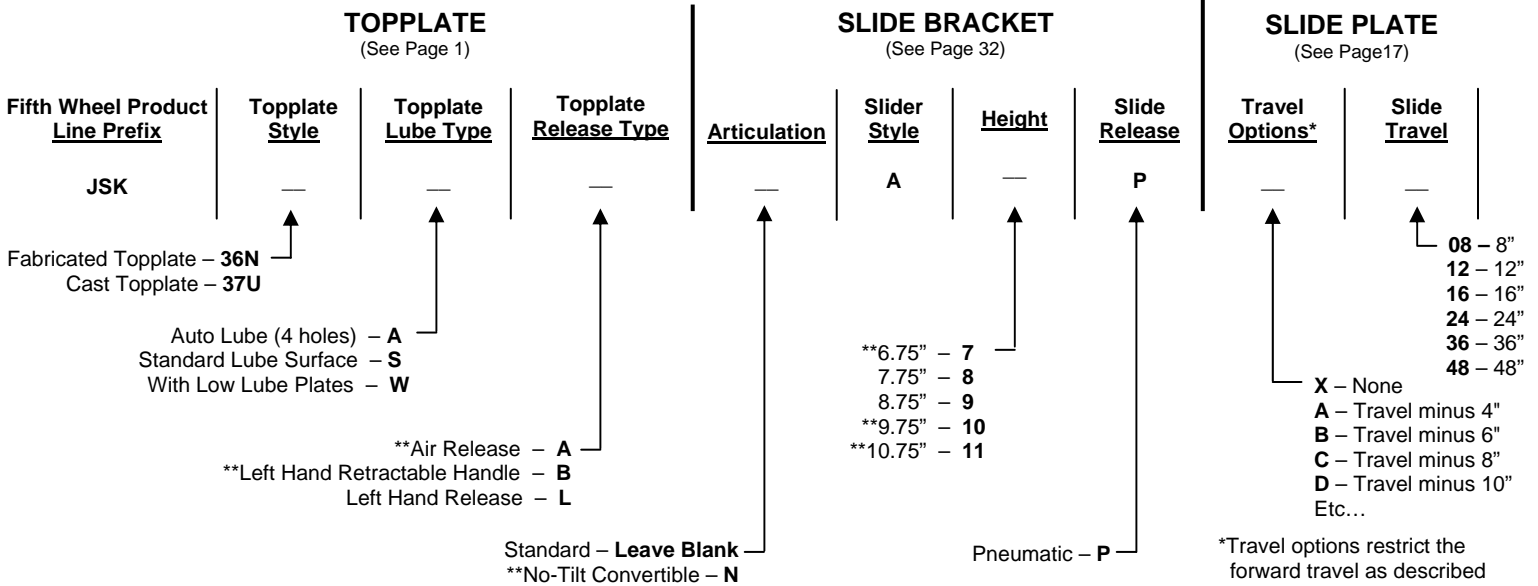
Major Rebuild Kit			Minor Rebuild Kit (see pg. 34)	
Complete Rebuild Kit			Cushion and Lock Jaw	
Includes Items 1-25 above			Includes Items 1-4, 17-20 & 24 above	
Topplate	<b>JOIST</b> Order Number	Weight	<b>JOIST</b> Order Number	Weight
37FSL	SK 75013-14	33 lbs.	SK 73221-50Z	6 lbs.
37HSL	SK 73221-52Z	33 lbs.		

**CAPACITY:**

50,000 maximum vertical load.  
150,000 maximum drawbar pull.

**FEATURES:**

- **MADE IN U.S.A. – BY **JO ST****
- Allows adjustment for vehicle combination lengths and tractor axle load distribution.
- Lightweight high strength low alloy construction that allows you to maximize payloads.
- Maintenance free construction allows for maximum equipment utilization.
- Slide travel is adjustable in 2" increments for precise positioning of fifth wheel.
- Release mechanism features an in-line secondary lock, assures positive, safe locking.
- Available in popular heights and slide travels.
- Automatic spring loaded adjustment of locking plungers.
- Composite cylinder and rod for long trouble free life.
- Maintenance-free pivot eliminates routine lubrication requirements.
- Upshock cushion reduces impact and provides torsional relief between tractor and trailer.



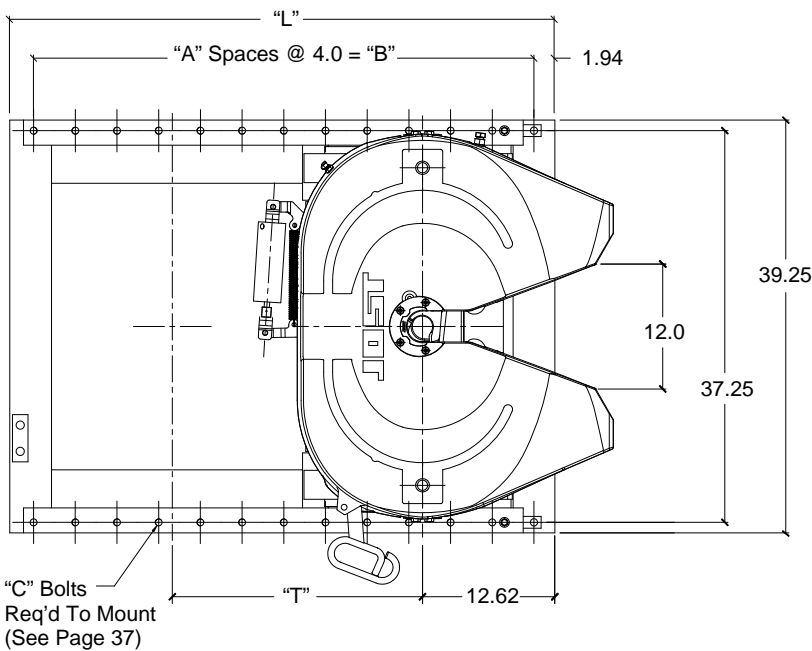
\*\* No-Tilt Convertible option is not available with 7", 10" or 11" height Slide Brackets, with the Retractable Handle Release or Air release. See page 33 for details.

**Example: JSK 37USL-A7PX24**

\*Travel options restrict the forward travel as described above using a removable stop. See page 17 for kit details.

For a fixed weld in stop specify "X" and select the desired travel length from the chart below.

### DIMENSIONAL INFORMATION

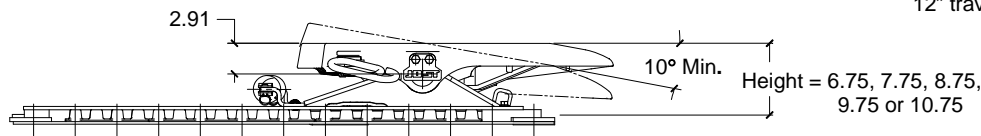


Dim "T" Travel	Dim "L" Length	Bolt Pattern		
		"A"	"B"	"C"
8"	36 ¼"	8	32"	18
12"	40 ¼"	9	36"	20
16"	44 ¼"	10	40"	22
24"	52 ¼"	12	48"	26
36"	64 ¼"	15	60"	32
48"	76 ¼"	18	72"	38

	Weld in Slide Stops					
	Original Travel					
Available Reduced Travel Options	8"	12"	16"	24"	36"	48"
	6"	10"	14"	22"	34"	46"
	-	-	-	20"	32"	44"
	-	-	-	18"	30"	42"
	-	-	-	-	28"	40"
	-	-	-	-	26"	38"

**Example: JSK 37USL-A7PX10**

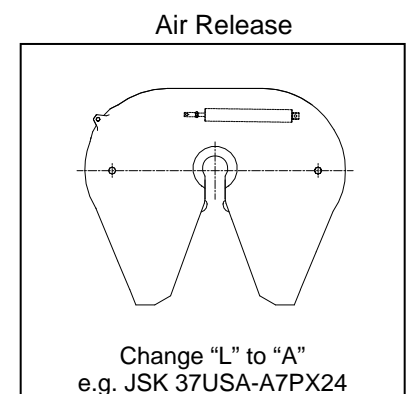
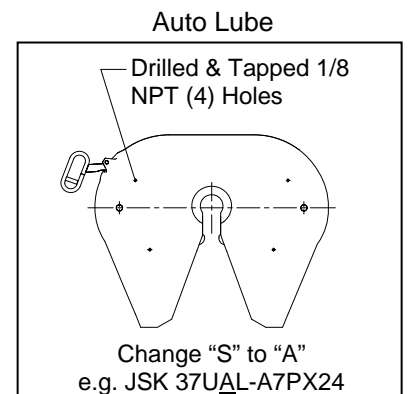
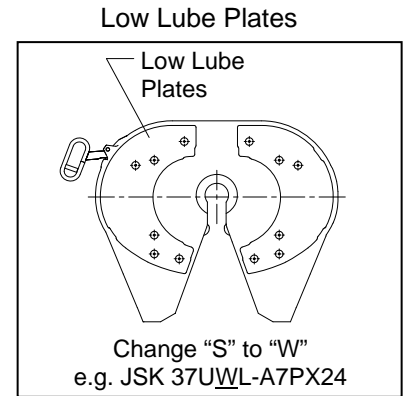
12" travel slider restricted to 10" of forward travel



"T" = Slide Travel

"L" = Overall Length = Length of Mounting Angle (See Page 38)

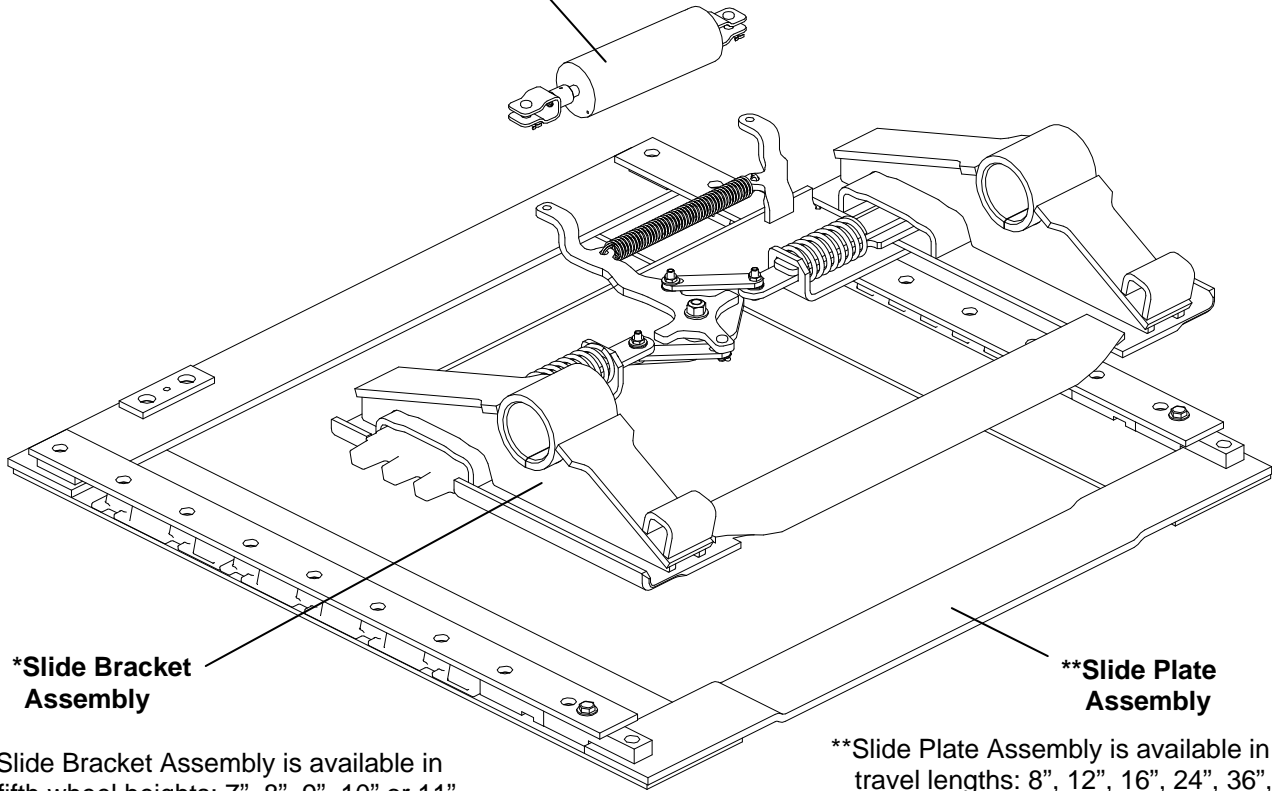
Travel	Height	Weight	<b>JOIST</b> Model Number †
8"	6.75	452 lbs.	JSK 37USL-A7PX08
	7.75	458 lbs.	JSK 37USL-A8PX08
	8.75	465 lbs.	JSK 37USL-A9PX08
	9.75	485 lbs.	JSK 37USL-A10PX08
	10.75	497 lbs.	JSK 37USL-A11PX08
12"	6.75	457 lbs.	JSK 37USL-A7PX12
	7.75	463 lbs.	JSK 37USL-A8PX12
	8.75	470 lbs.	JSK 37USL-A9PX12
	9.75	490 lbs.	JSK 37USL-A10PX12
	10.75	502 lbs.	JSK 37USL-A11PX12
16"	6.75	463 lbs.	JSK 37USL-A7PX16
	7.75	469 lbs.	JSK 37USL-A8PX16
	8.75	476 lbs.	JSK 37USL-A9PX16
	9.75	496 lbs.	JSK 37USL-A10PX16
	10.75	508 lbs.	JSK 37USL-A11PX16
24"	6.75	477 lbs.	JSK 37USL-A7PX24
	7.75	483 lbs.	JSK 37USL-A8PX24
	8.75	490 lbs.	JSK 37USL-A9PX24
	9.75	510 lbs.	JSK 37USL-A10PX24
	10.75	522 lbs.	JSK 37USL-A11PX24
36"	6.75	497 lbs.	JSK 37USL-A7PX36
	7.75	503 lbs.	JSK 37USL-A8PX36
	8.75	510 lbs.	JSK 37USL-A9PX36
	9.75	530 lbs.	JSK 37USL-A10PX36
	10.75	542 lbs.	JSK 37USL-A11PX36
48"	6.75	517 lbs.	JSK 37USL-A7PX48
	7.75	523 lbs.	JSK 37USL-A8PX48
	8.75	530 lbs.	JSK 37USL-A9PX48
	9.75	550 lbs.	JSK 37USL-A10PX48
	10.75	562 lbs.	JSK 37USL-A11PX48



† Model numbers shown have cast topplate, left hand release and air slide.



Air cylinder not included, order  
SK 75015-03 (see pg. 36)



**\*Slide Bracket  
Assembly**

**\*\*Slide Plate  
Assembly**

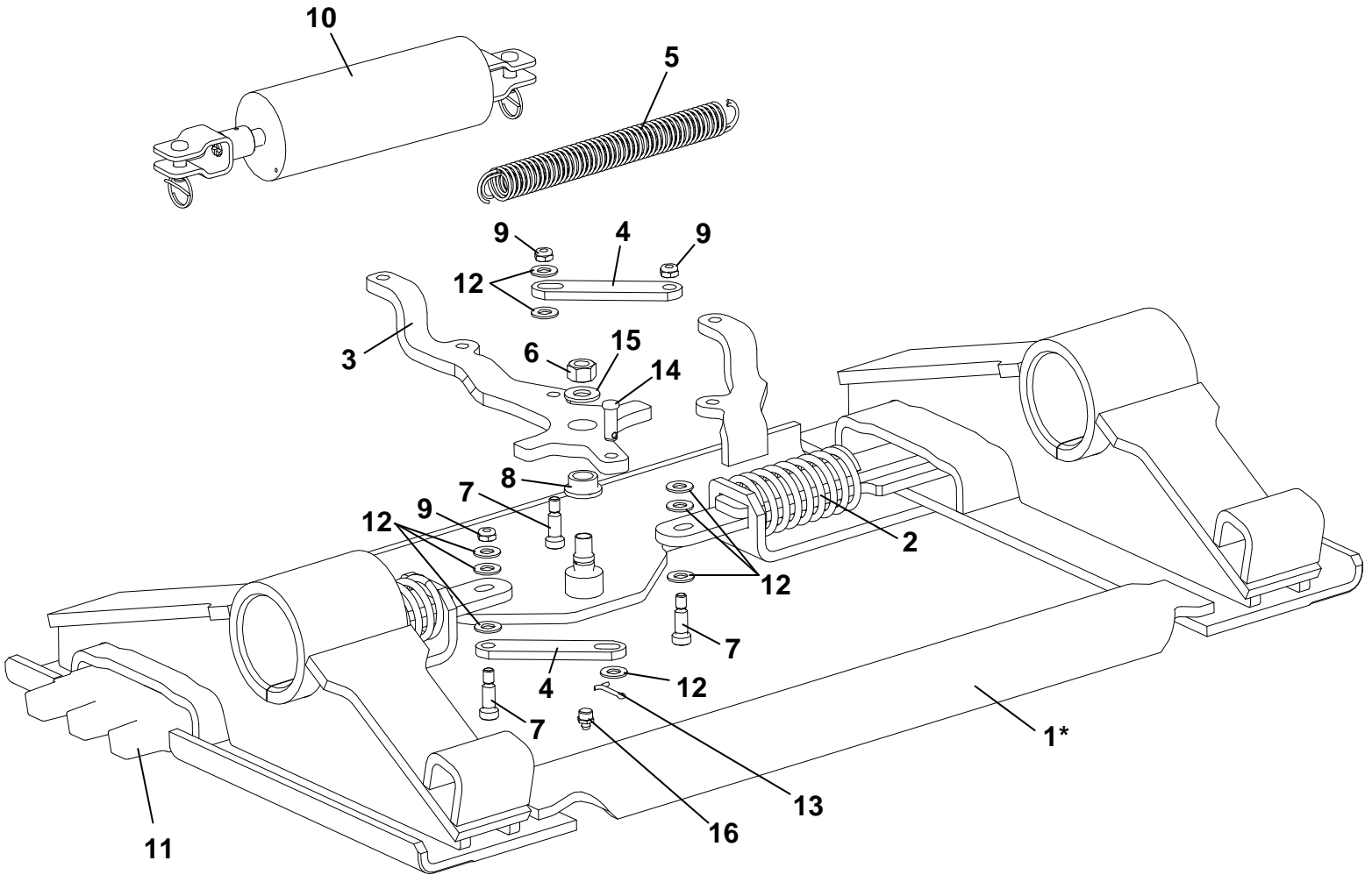
\*Slide Bracket Assembly is available in fifth wheel heights: 7", 8", 9", 10" or 11". See chart below for order numbers and see page 16 for details.

\*\*Slide Plate Assembly is available in standard travel lengths: 8", 12", 16", 24", 36", 48". See chart below for order numbers and see page 17 for details.

To Order Slide Bracket Assembly Only		
<b>JOIST</b> Order Number	Height	Weight
A7P	7" F.W. Height	103 lbs.
A8P	8" F.W. Height	109 lbs.
A9P	9" F.W. Height	116 lbs.
A10P	10" F.W. Height	136 lbs.
A11P	11" F.W. Height	148 lbs.

To Order Slide Plate Assembly Only		
<b>JOIST</b> Order Number	Travel	Weight
X08	8" Travel	92 lbs.
X12	12" Travel	100 lbs.
X16	16" Travel	106 lbs.
X24	24" Travel	120 lbs.
X36	36" Travel	140 lbs.
X48	48" Travel	160 lbs.

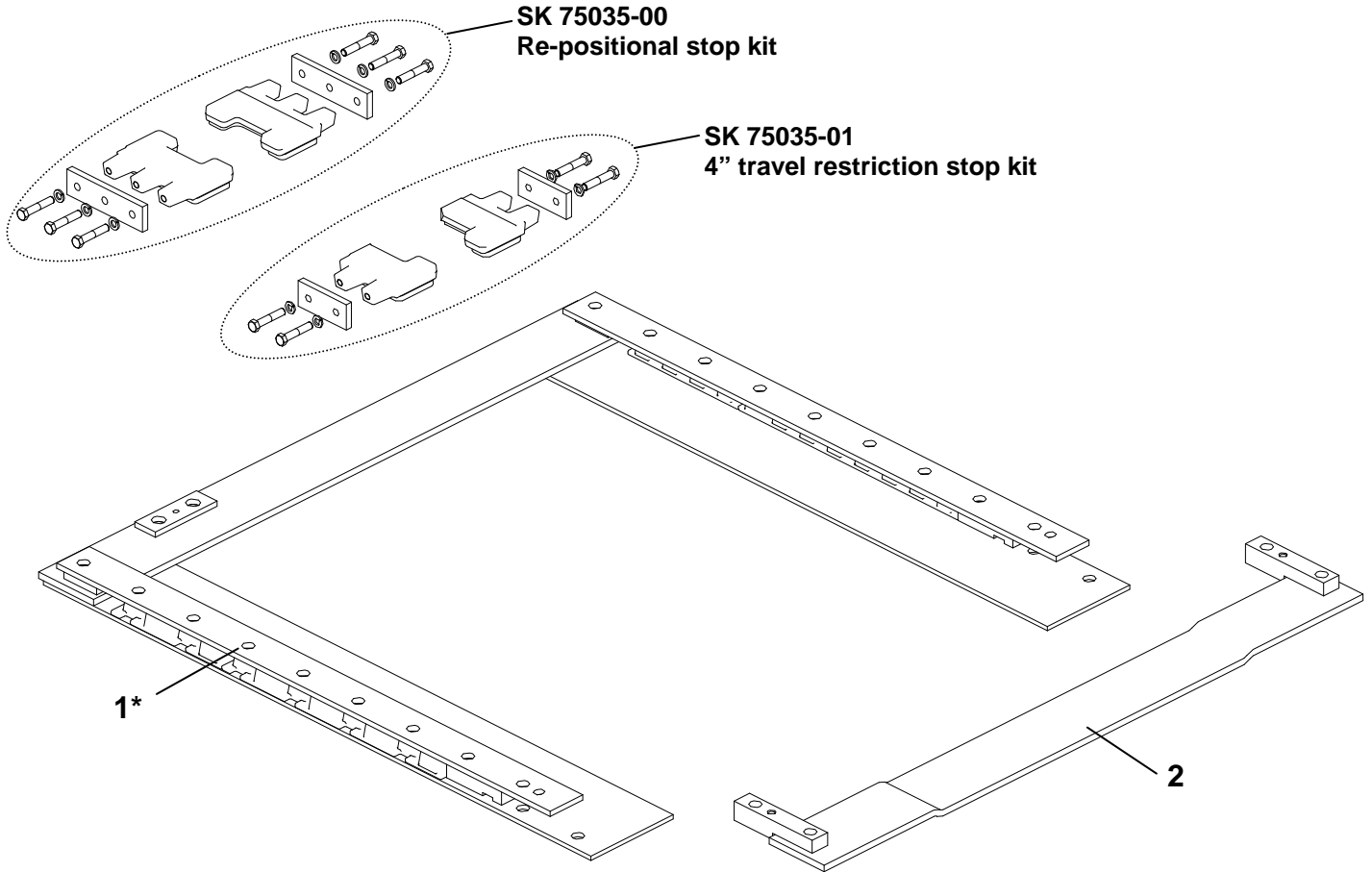
**Slide Bracket Assembly**



Item	Description	Part No.	Item	Description	Part No.
1	Slide bracket*	SK 77001-xx	9	5/16-18 Lock Nut	SK 70402-01
2	Spring	SK 77293-00	10	Cylinder Assembly (see pg 36)	SK 75015-03
3	Pivot Arm	SK 77289-00	11	Plunger	SK 77007-01
4	Pivot Linkage	SK 77290-00	12	Flat Washer	SK 70302-05
5	Double Coil Spring	V2026100	13	Cotter Pin	SK 70101-01
6	1/2-13 Lock Nut	SK 70401-03	14	3/8 Dia. Clevis Pin	SK 70102-00
7	3/8 Dia.x 3/4 Shoulder Screw	SK 70201-09	15	Flat Washer	SK 70302-02
8	Flanged Bearing	SK 77292-00	16	Pivot Post Grease Fitting	SK 71013-12

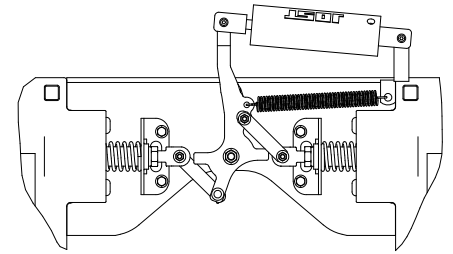
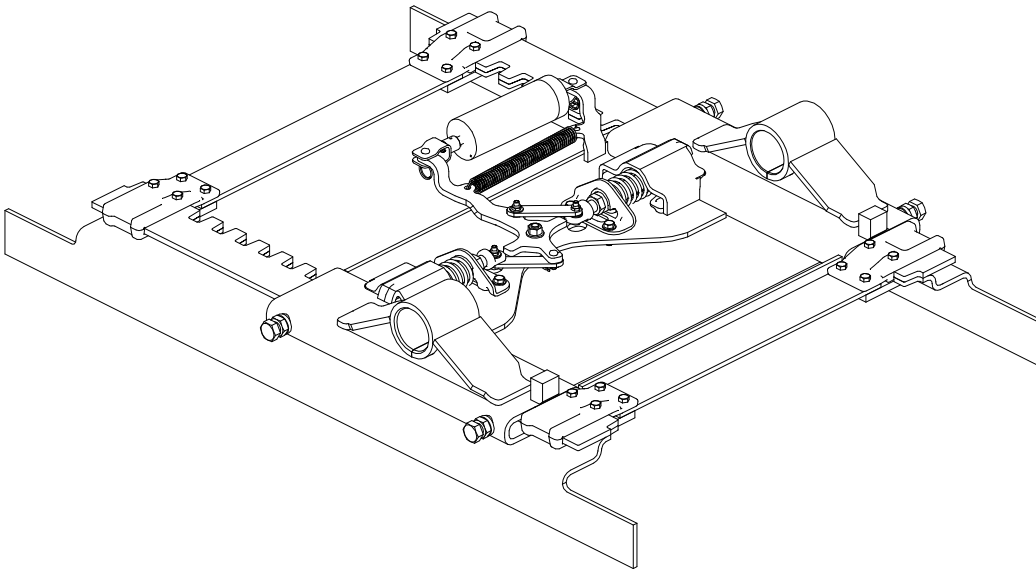
\*Item #1 available in fifth wheel heights: 7", 8", 9", 10" or 11". Replace XX in part number with appropriate height (e.g. SK 77001-08).

**Slide Plate Assembly**

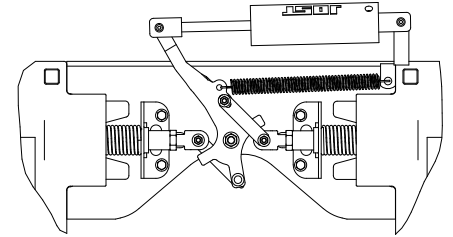


Item	Description	Part No.	Item	Description	Part No.
1	Slider weldment*	SK 77037-xx	2	Rear Stop	SK 77041

\*Item #1 available in travel lengths:  
8", 12", 16", 24", 36" & 48". Replace XX in part number with  
appropriate length (e.g. SK 77037-12).



Slide mechanism locked



Slide mechanism unlocked

#### CAPACITY:

50,000 maximum vertical load.  
150,000 maximum drawbar pull.

#### FEATURES:

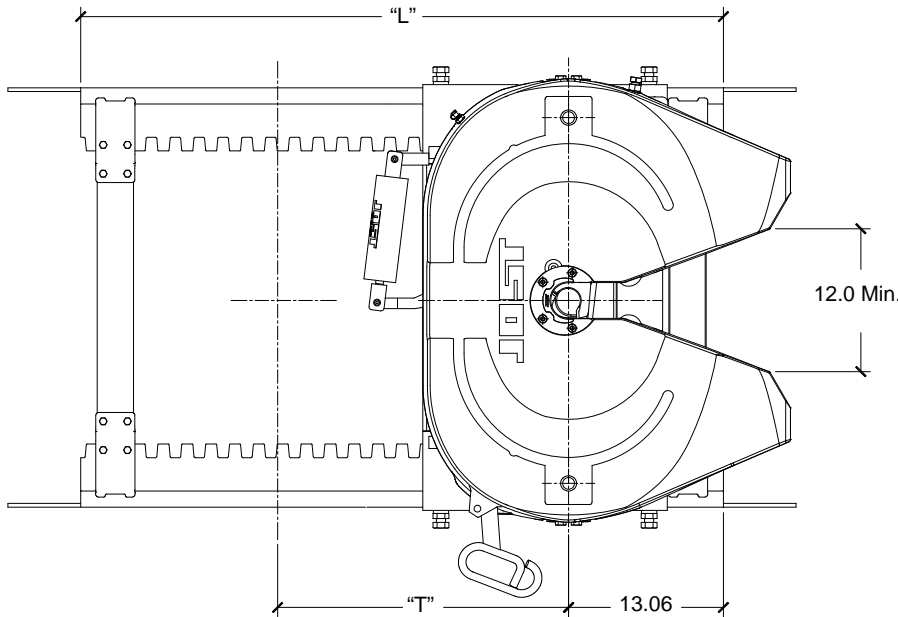
- **MADE IN U.S.A. – BY **JOST****
- Allows adjustment for vehicle combination lengths and tractor axle load distribution.
- Patented integral mounting angle design eliminates additional mounting angle weight.
- Lightweight high strength low alloy construction (up to 120 lbs. lighter than competitive models) that allows you to maximize payloads.
- Maintenance free construction allows for maximum equipment utilization.
- Slide travel is adjustable in 2" increments for precise positioning of fifth wheel.
- Fully adjustable for all frame widths.
- Release mechanism features an in-line secondary lock, assures positive, safe locking.
- Available in popular heights and slide travels.
- Automatic spring-loaded adjustment of locking plungers.
- Composite cylinder and rod for long trouble free life.
- Maintenance-free pivot eliminates routine lubrication requirements.
- Upshock cushion reduces impact and provides torsional relief between tractor and trailer.
- Removable/Repositionable slide stops that allow for easy:
  - Removal of slide bracket.
  - Limitation of slide travel for special applications.

Fifth Wheel Product Line Prefix	TOPPLATE (See Page 1)			Articulation	SLIDE BRACKET (See Page 22)			SLIDE RAIL (See Page 23)	
	Topplate Style	Topplate Lube Type	Topplate Release Type		Slider Style	Height	Slide Release	Frame Width	Slide Travel
JSK	37U	—	—	—	B	—	P	—	—
	Standard Lube Surface – S	With Low Lube Plates – W	Auto Lube (4 holes) – A		**7.00" – 7	**7.75" – 8	8.75" – 9	**9.75" – 10	
		Left Hand Release – L	**Air Release – A				Pneumatic – P		
		**Left Hand Retractable Handle – B							
			Standard – Leave Blank						
			**No-Tilt Convertible – N						
									06 – 6" 12 – 12" 18 – 18" 24 – 24" 36 – 36" 48 – 48"
									C – 33 1/2" E – 33 3/4" F – 33 7/8" G – 34" H – 34 1/8" J – 34 1/4"

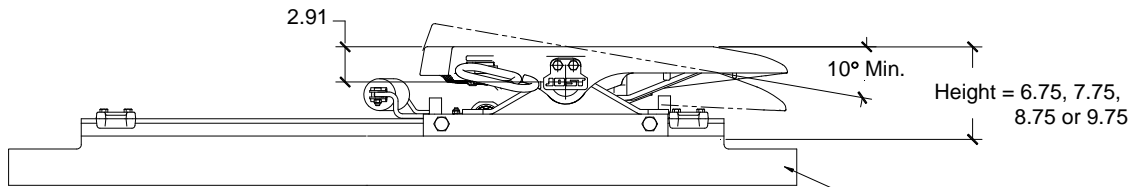
\*\* No-Tilt Convertible option is only available with 9" height Slide Bracket and with the Left Hand Release. See page 33 for details.

**Example: JSK 37USL-B7PG24**

### DIMENSIONAL INFORMATION



Dim "T" Travel	Dim "L" Length	"A"
6"	35"	8
12"	41"	10
18"	47"	12
24"	53"	14
36"	65"	18
48"	77"	22



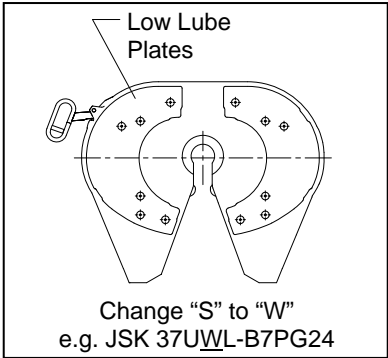
Bolt pattern specified by customer  
"A" Bolts Min. Req'd To Mount  
(See Page 37)

"T" = Slide Travel

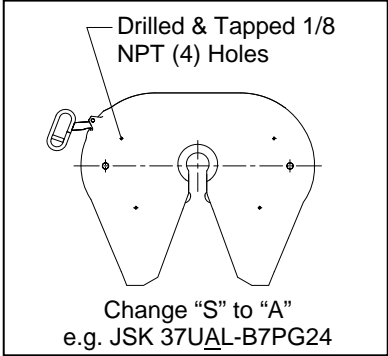
"L" = Overall Length

Travel	Height	Weight †	<b>JOIST</b> Model Number ‡
6"	6.75	473 lbs.	JSK 37USL-B7PG06
	7.75	478 lbs.	JSK 37USL-B8PG06
	8.75	483 lbs.	JSK 37USL-B9PG06
	9.75	488 lbs.	JSK 37USL-B10PG06
12"	6.75	486 lbs.	JSK 37USL-B7PG12
	7.75	491 lbs.	JSK 37USL-B8PG12
	8.75	496 lbs.	JSK 37USL-B9PG12
	9.75	501 lbs.	JSK 37USL-B10PG12
18"	6.75	498 lbs.	JSK 37USL-B7PG18
	7.75	503 lbs.	JSK 37USL-B8PG18
	8.75	508 lbs.	JSK 37USL-B9PG18
	9.75	513 lbs.	JSK 37USL-B10PG18
24"	6.75	512 lbs.	JSK 37USL-B7PG24
	7.75	517 lbs.	JSK 37USL-B8PG24
	8.75	522 lbs.	JSK 37USL-B9PG24
	9.75	527 lbs.	JSK 37USL-B10PG24
36"	6.75	538 lbs.	JSK 37USL-B7PG36
	7.75	543 lbs.	JSK 37USL-B8PG36
	8.75	548 lbs.	JSK 37USL-B9PG36
	9.75	553 lbs.	JSK 37USL-B10PG36
48"	6.75	564 lbs.	JSK 37USL-B7PG48
	7.75	569 lbs.	JSK 37USL-B8PG48
	8.75	574 lbs.	JSK 37USL-B9PG48
	9.75	579 lbs.	JSK 37USL-B10PG48

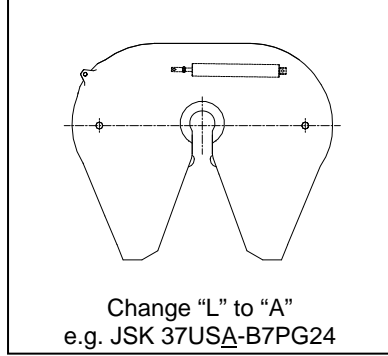
### Low Lube Plates



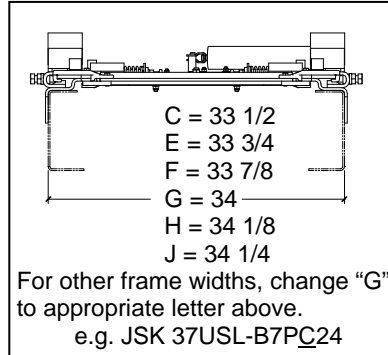
### Auto Lube



### Air Release



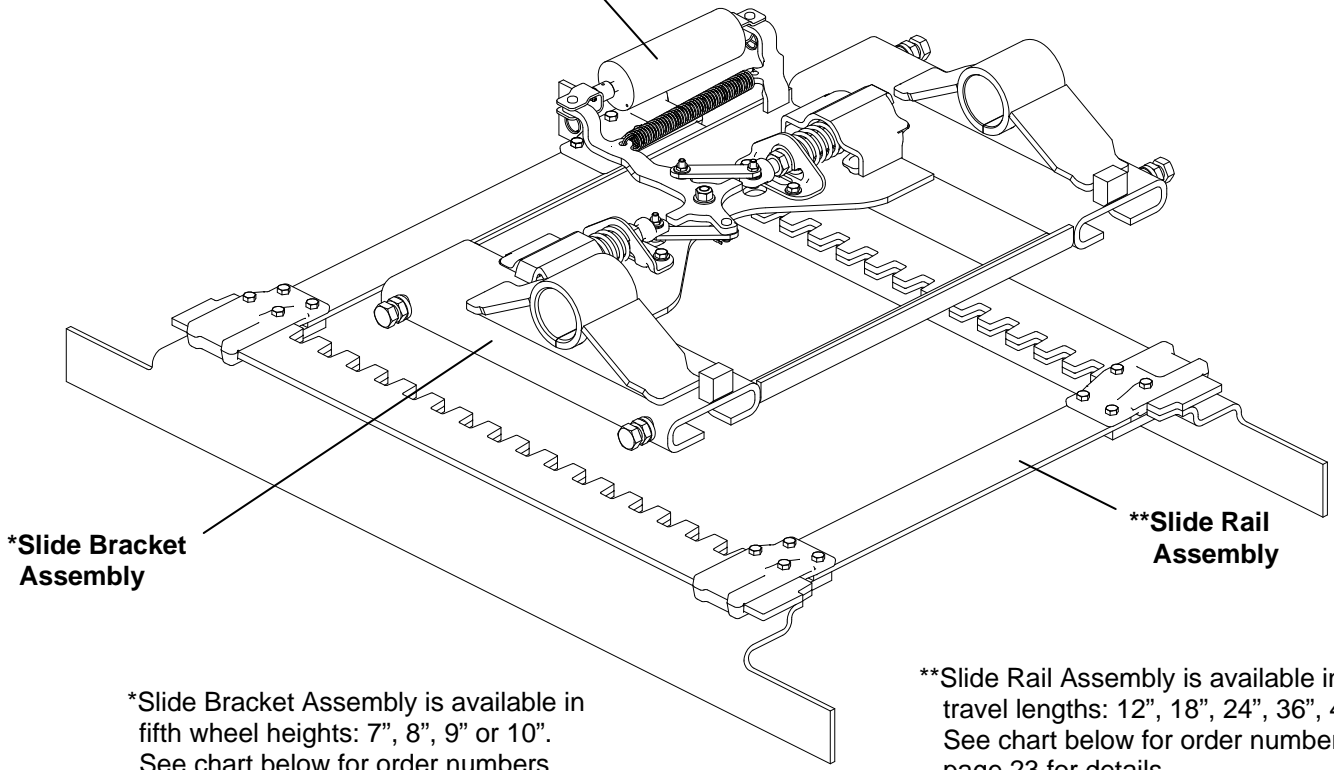
### Frame Width



† Weight includes mounting angles.

‡ Model numbers shown have standard topplate, left hand release, air slide and 34" frame width.

Air cylinder not included, order  
SK 75015-03 (see pg. 36)



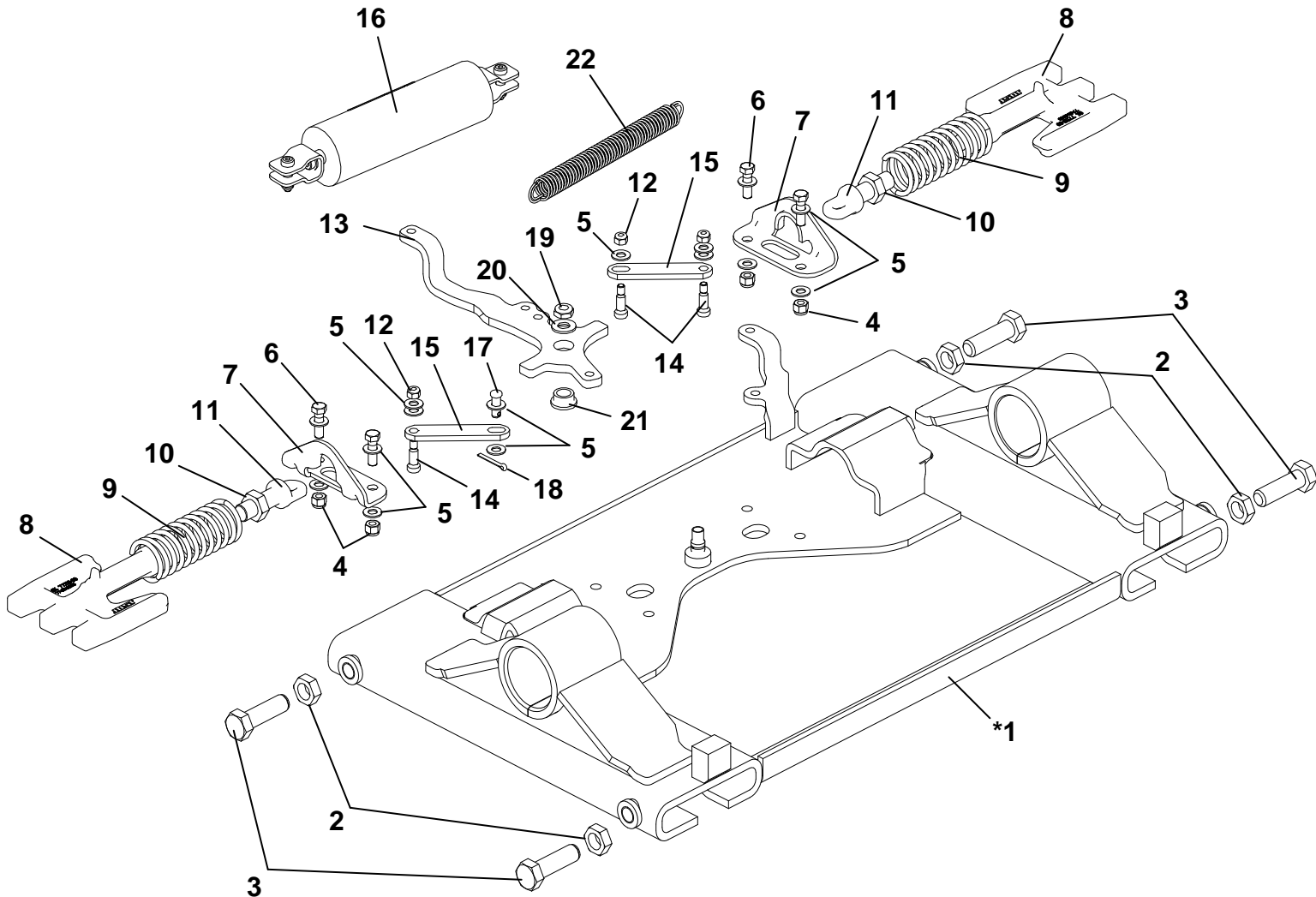
\*Slide Bracket Assembly is available in fifth wheel heights: 7", 8", 9" or 10". See chart below for order numbers and see page 22 for details.

\*\*Slide Rail Assembly is available in standard travel lengths: 12", 18", 24", 36", 48". See chart below for order numbers and see page 23 for details.

<b>To Order Slide Bracket Assembly Only</b>		
<b>JOIST</b> Order Number	Height	Weight
B7P	7" F.W. Height	119 lbs.
B8P	8" F.W. Height	122 lbs.
B9P	9" F.W. Height	126 lbs.
B10P	10" F.W. Height	131 lbs.

<b>To Order Slide Rail Assembly Only</b>		
<b>JOIST</b> Order Number	Travel	Weight
SK 75039-06	6" Travel	117 lbs.
SK 75039-12	12" Travel	130 lbs.
SK 75039-18	18" Travel	143 lbs.
SK 75039-24	24" Travel	156 lbs.
SK 75039-36	36" Travel	183 lbs.
SK 75039-48	48" Travel	209 lbs.

### Slide Bracket Assembly

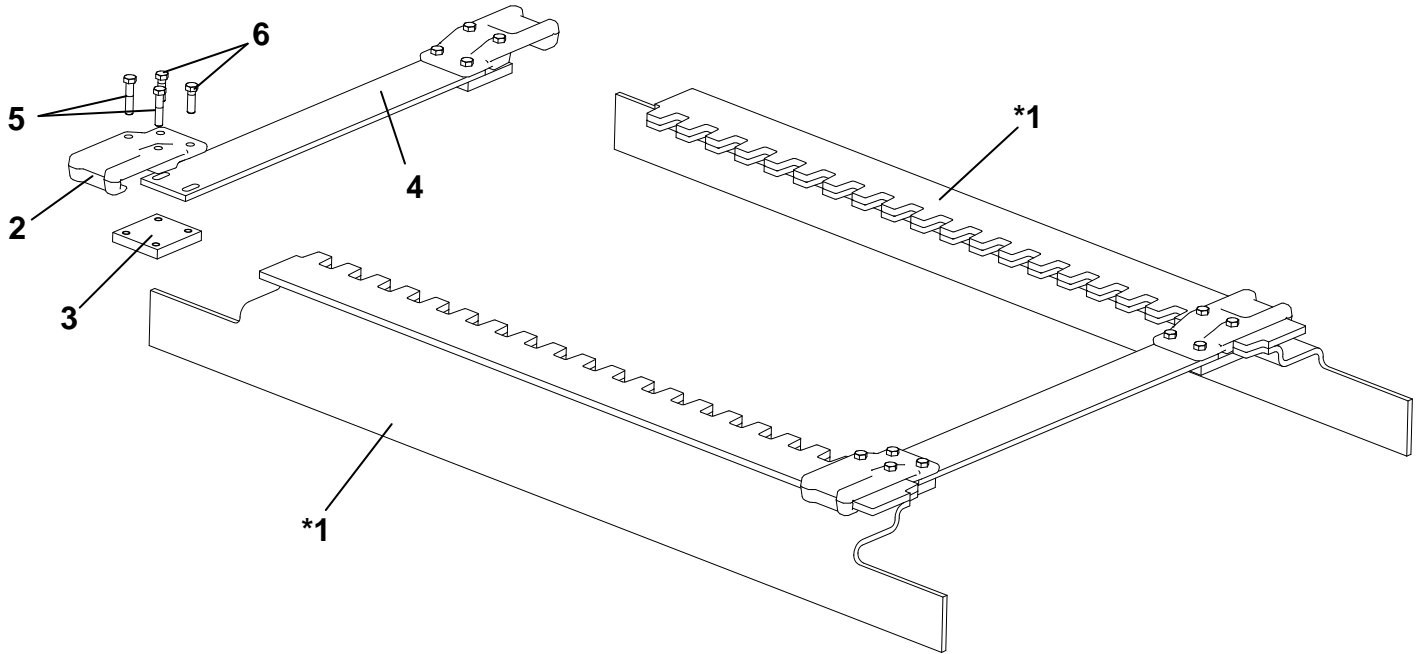


Item	Description	Part No.	Item	Description	Part No.
1	Slide bracket*	SK 77240-xx	12	5/16-18 Lock nut	SK 70402-01
2	3/4-10 Jam nut	SK 70403-05	13	Pivot Arm	SK 77289-00
3	3/4-10 Hex head bolt (full thread)	SK 70207-01	14	3/8 Dia. x 3/4 shoulder screw	SK 70201-09
4	3/8-16 Lock nut	SK 70402-00	15	Pivot linkage	SK 77290-00
5	Flat washer	SK 70302-05	16	Cylinder Assembly (see pg. 36)	SK 75015-03
6	3/8-16 Hex head bolt	SK 70202-05	17	3/8 Dia. clevis pin	SK 70102-00
7	Spring bracket	SK 77238-00	18	Cotter pin	SK 70101-01
8	Plunger	SK 77233-01	19	1/2-13 Lock nut	SK 70402-04
9	Spring	SK 77293-00	20	Flat washer	SK 70302-02
10	3/4-16 Jam nut	SK 70403-01	21	Flanged bearing	SK 77292-00
11	Plunger screw	SK 77234-00	22	Double Coil Spring	V2026100

\*Item #1 available in fifth wheel heights: 7", 8", 9" or 10". Replace XX in part number with appropriate height (e.g. SK 77240-08).

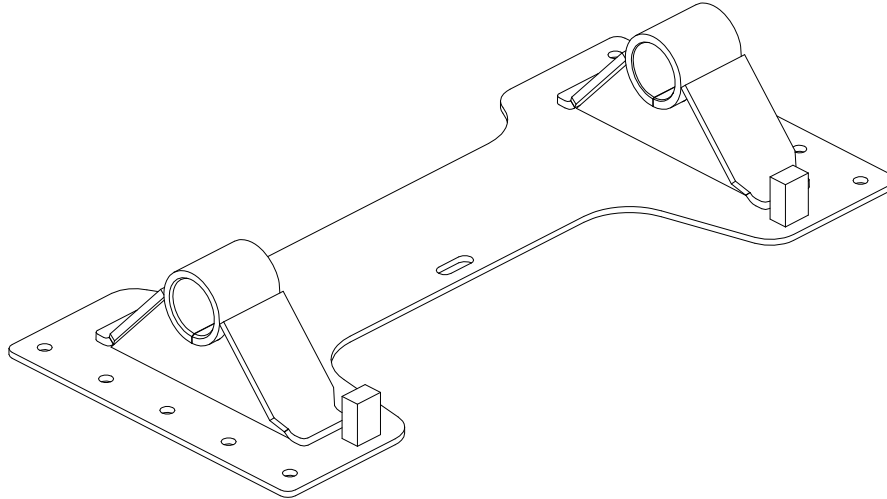


**Slide Rail Assembly**



Item	Description	Part No.	Item	Description	Part No.
1	Slide Rail* (1) side only	SK 77275-xx	4	Cross Brace	SK 77221-00
2	Clamp	SK 77220-00	5	3/8-16 x 1 3/4 Lg. Hex Bolt	SK 70202-06
3	Clamp Plate	SK 77222-00	6	3/8-16 x 1 1/4 Lg. Hex Bolt	SK 70202-05

\*Item #1 available in travel lengths:  
12", 18", 24", 36" & 48". Replace XX in part number with  
appropriate length (e.g. SK 77275-12).



### CAPACITY:

50,000 maximum vertical load.  
150,000 maximum drawbar pull.

### FEATURES:

- **MADE IN U.S.A. – BY**
- Heavy-duty brackets constructed of high strength low alloy material combine durability with lightweight.
- Maintenance-free pivot eliminates routine lubrication requirements.
- Upshock cushion reduces impact and provides torsional relief between tractor and trailer.

## PART NUMBER

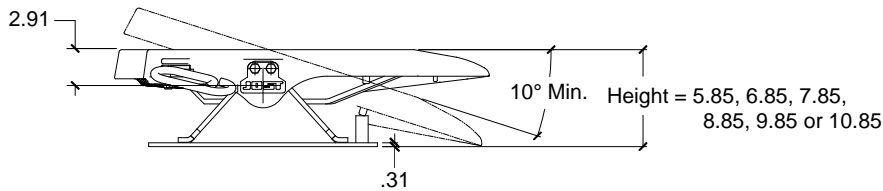
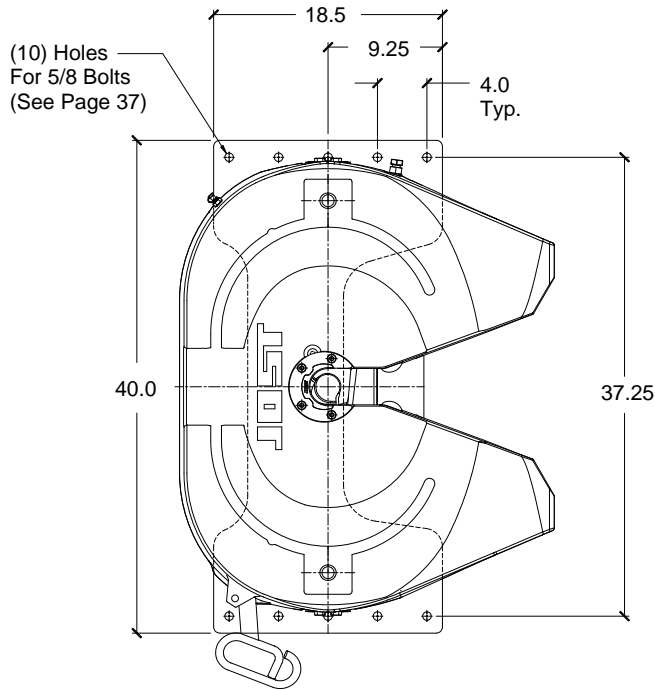
TOPPLATE (See Page 1)				BRACKET (See Page 32)			
Fifth Wheel Product Line Prefix	Topplate Style	Topplate Lube Type	Topplate Release Type	Articulation	Bracket Style	Height	Frame Width
JSK	—	—	—	—	DB	—	X
Fabricated Topplate – <b>36N</b> Cast Topplate – <b>37U</b>		Auto Lube (4 holes) – <b>A</b> Standard Lube Surface – <b>S</b> With Low Lube Plates – <b>W</b>	† Air Release – <b>A</b> † Left Hand Retractable Handle – <b>B</b> Left Hand Release – <b>L</b>		Leave Blank – Standard <b>N</b> – No-Tilt Convertible* †	6 – 5.85" * 7 – 6.85" * 8 – 7.85" * 9 – 8.85" * 10 – 9.85" * 11 – 10.85" *	

† No-Tilt Convertible option is not available with the Retractable Handle Release or Air Release. See page 33 for details.

\* No-Tilt Convertible option is available with 8" or 9" height Brackets only.

**Example: JSK 37USL-DB6X**

### DIMENSIONAL INFORMATION

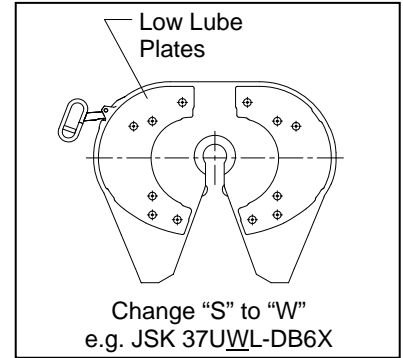


Height*	Weight	<b>JOST</b> Model Number †
6"	319 lbs.	JSK 37USL-DB6X
7"	324 lbs.	JSK 37USL-DB7X
8"	329 lbs.	JSK 37USL-DB8X
9"	336 lbs.	JSK 37USL-DB9X
10"	374 lbs.	JSK 37USL-DB10X
11"	388 lbs.	JSK 37USL-DB11X

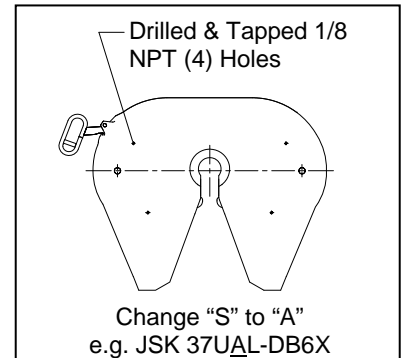
\* Nominal height shown, for actual height see line drawing above.

† Model numbers shown have standard topplate and left hand release.

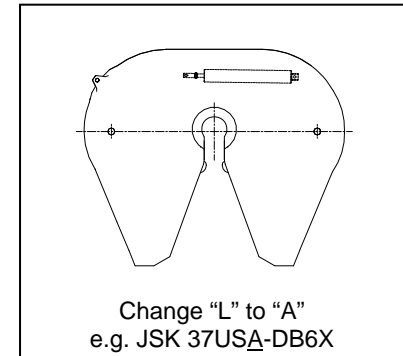
#### Low Lube Plates

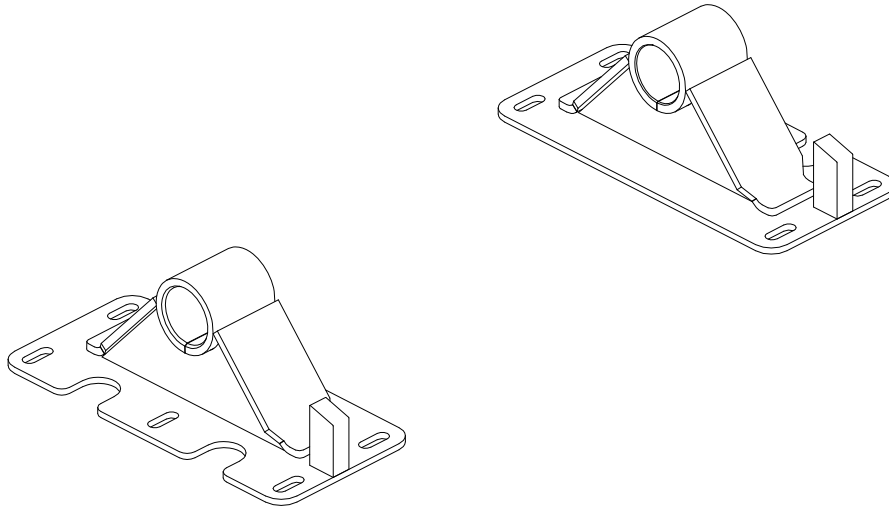


#### Auto Lube



#### Air Release





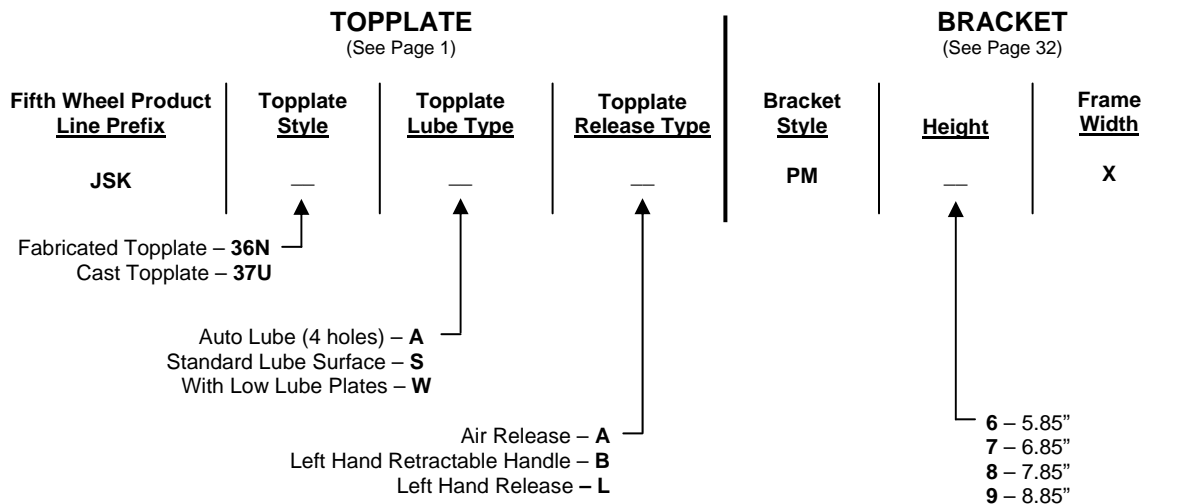
### CAPACITY:

50,000 maximum vertical load.  
150,000 maximum drawbar pull.

### FEATURES:

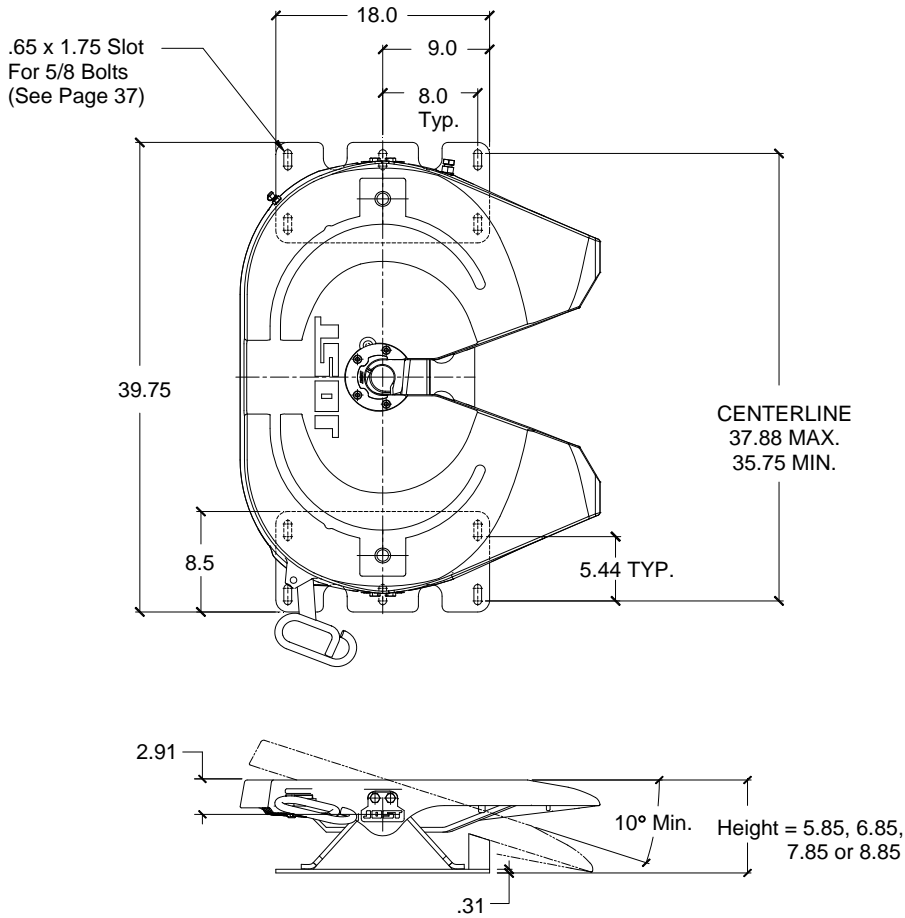
- **MADE IN U.S.A. – BY**
- Heavy-duty brackets constructed of high strength low alloy material combine durability with lightweight.
- Maintenance-free pivot eliminates routine lubrication requirements.
- Upshock cushion reduces impact and provides torsional relief between tractor and trailer.

### PART NUMBER

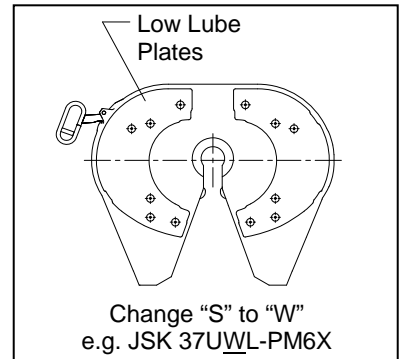


**Example: JSK 37USL-PM6X**

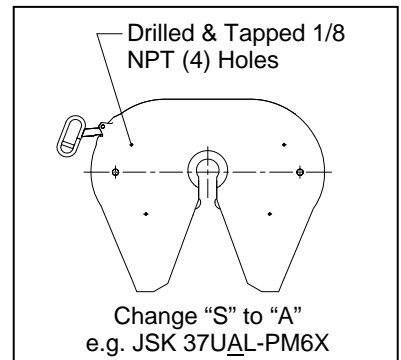
#### DIMENSIONAL INFORMATION



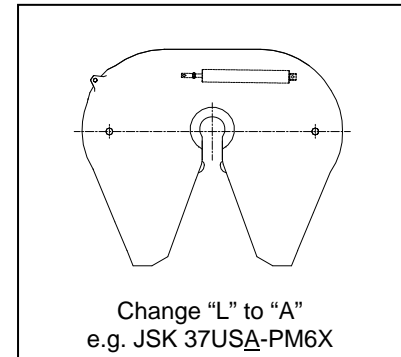
#### Low Lube Plates



#### Auto Lube



#### Air Release

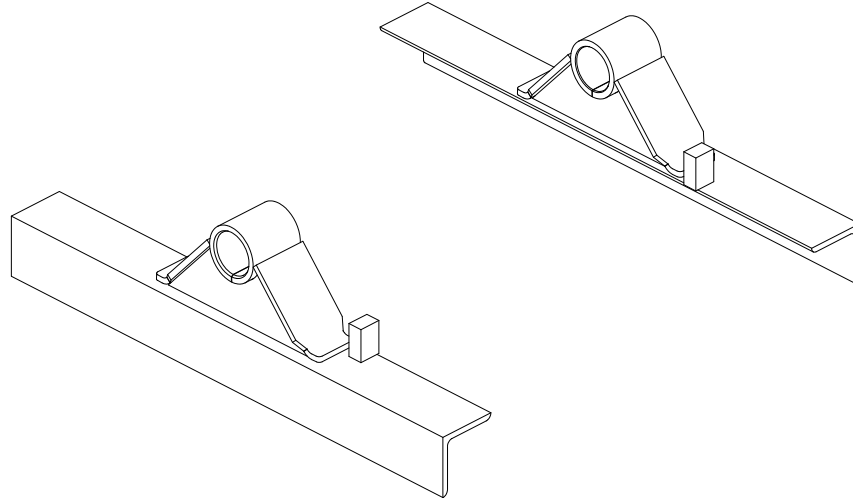


Note: For corrugated mounting plate, see page 40.

Height *	Weight	<b>JOST</b> Model Number †
6"	300 lbs.	JSK 37USL-PM6X
7"	304 lbs.	JSK 37USL-PM7X
8"	309 lbs.	JSK 37USL-PM8X
9"	313 lbs.	JSK 37USL-PM9X

\* Nominal height shown, for actual height see line drawing above.

† Model numbers shown have standard topplate and left hand release.



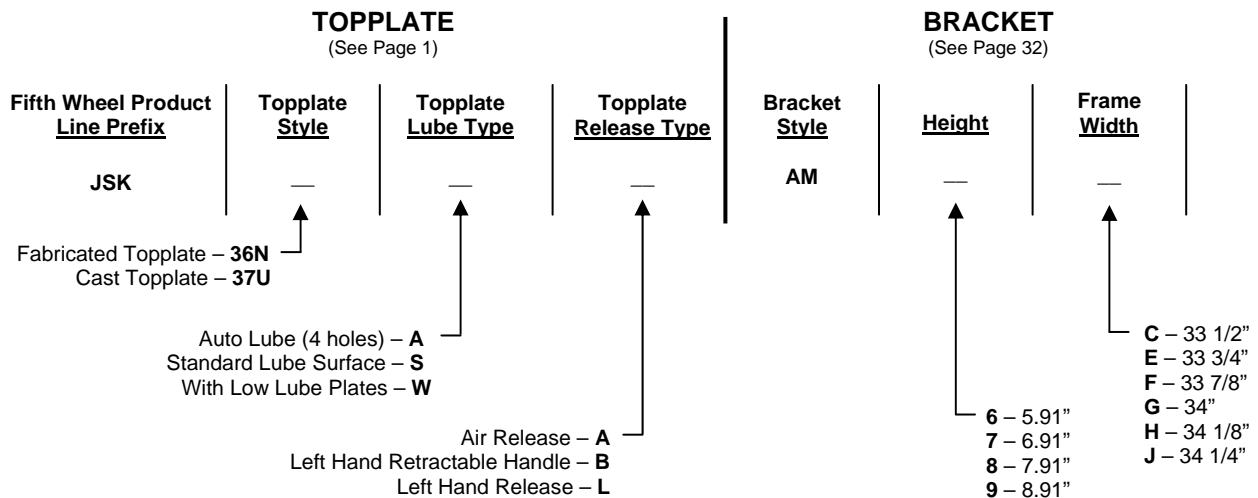
### CAPACITY:

50,000 maximum vertical load.  
150,000 maximum drawbar pull.

### FEATURES:

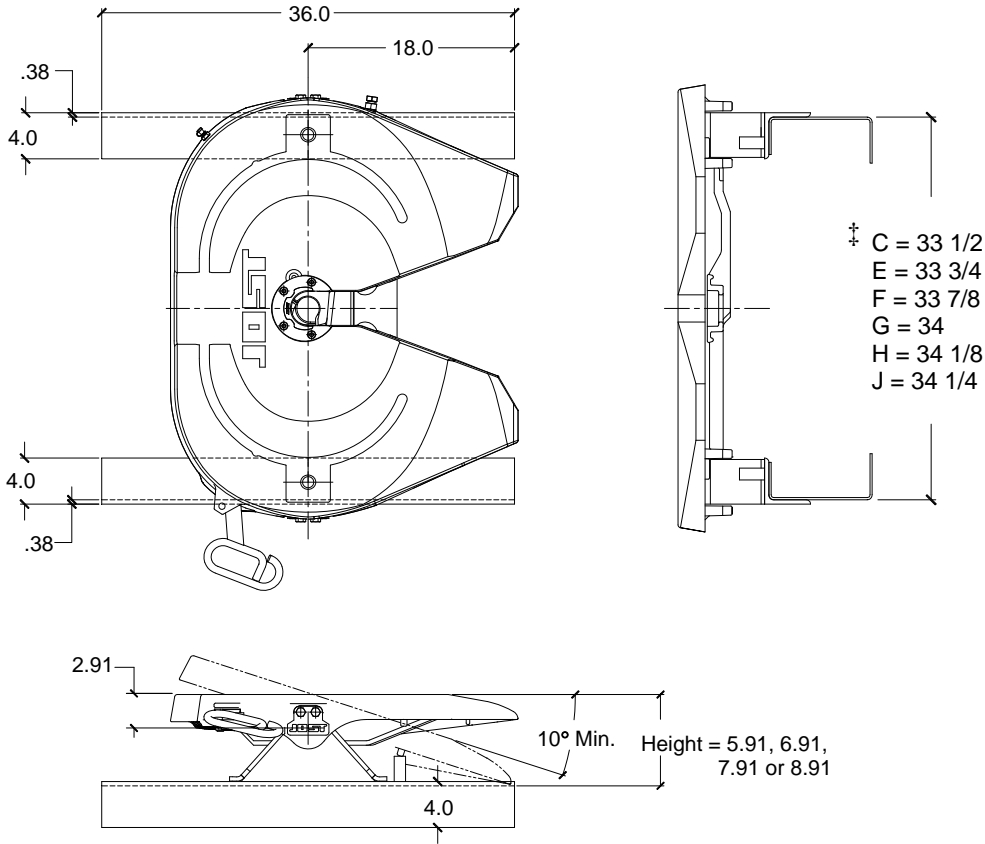
- **MADE IN U.S.A. – BY**
- Heavy-duty brackets constructed of high strength low alloy material combine durability with lightweight.
- Maintenance-free pivot eliminates routine lubrication requirements.
- Upshock cushion reduces impact and provides torsional relief between tractor and trailer.

### PART NUMBER

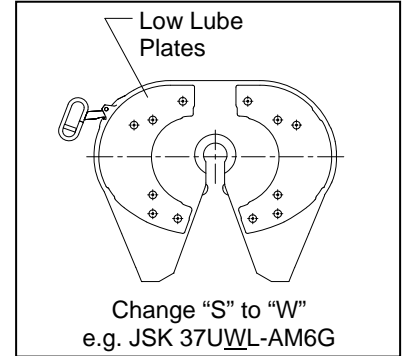


**Example: JSK 37USL-AM6G**

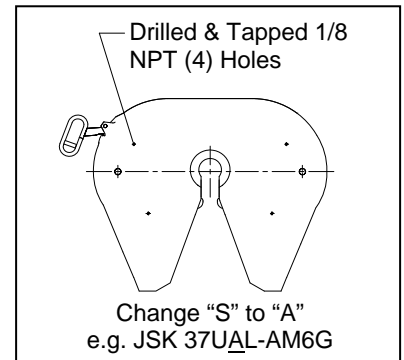
### DIMENSIONAL INFORMATION



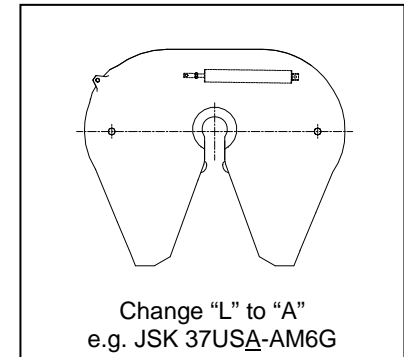
#### Low Lube Plates



#### Auto Lube



#### Air Release

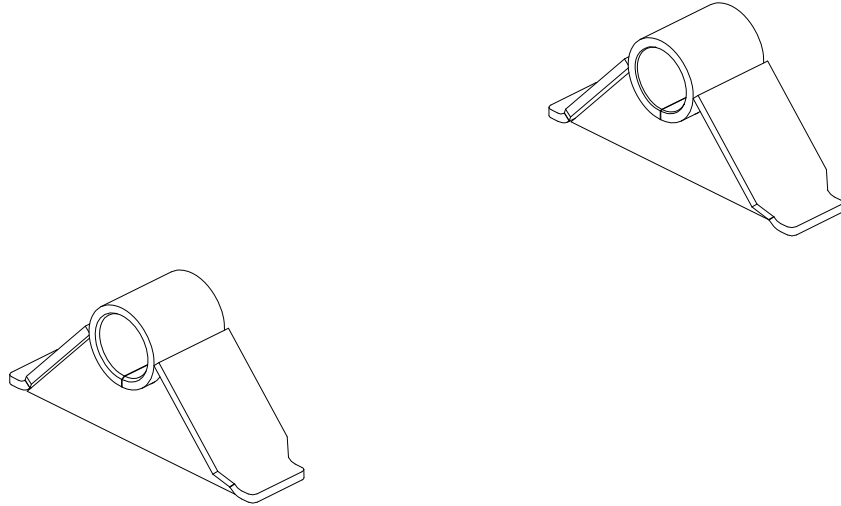


† For other frame widths change "G" to appropriate letter shown.  
 e.g. JSK 37USL-AM6C

Height *	Weight	JOIST Model Number †
6"	334 lbs.	JSK 37USL-AM6G
7"	338 lbs.	JSK 37USL-AM7G
8"	343 lbs.	JSK 37USL-AM8G
9"	347 lbs.	JSK 37USL-AM9G

\* Nominal height shown, for actual height see line drawing above.

† Model numbers shown have standard topplate, left hand release and 34" frame width.



### CAPACITY:

50,000 maximum vertical load.  
150,000 maximum drawbar pull.

### FEATURES:

- **MADE IN U.S.A. – BY**
- Heavy-duty brackets constructed of high strength low alloy material combine durability with lightweight.
- Maintenance-free pivot eliminates routine lubrication requirements.
- Upshock cushion reduces impact and provides torsional relief between tractor and trailer.

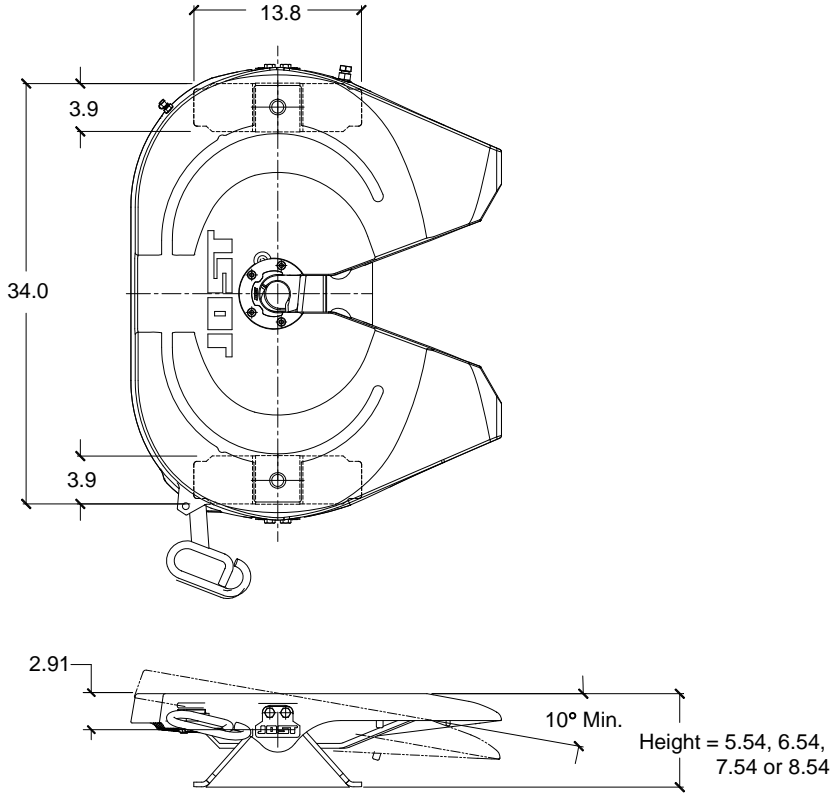
### PART NUMBER

TOPPLATE (See Page 1)				BRACKET (See Page 32)		
Fifth Wheel Product Line Prefix	Topplate Style	Topplate Lube Type	Topplate Release Type	Bracket Style	Height	Frame Width
JSK	—	—	—	XM	—	X
Fabricated Topplate – 36N Cast Topplate – 37U		Auto Lube (4 holes) – A Standard Lube Surface – S With Low Lube Plates – W	Air Release – A Left Hand Retractable Handle – B Left Hand Release – L		6 – 5.54" 7 – 6.54" 8 – 7.54" 9 – 8.54"	

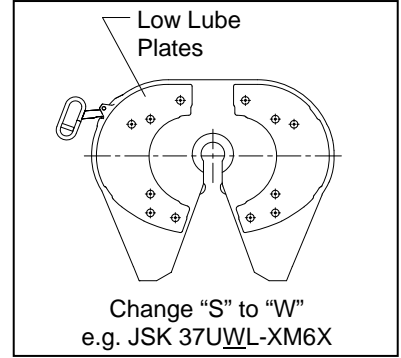
**Example: JSK 37USL-XM6X**



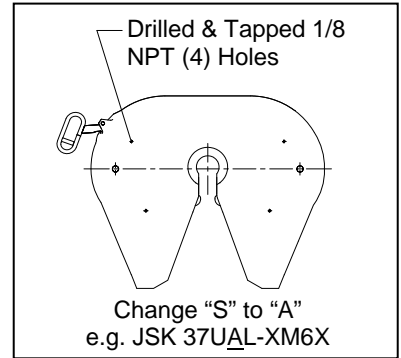
**DIMENSIONAL INFORMATION**



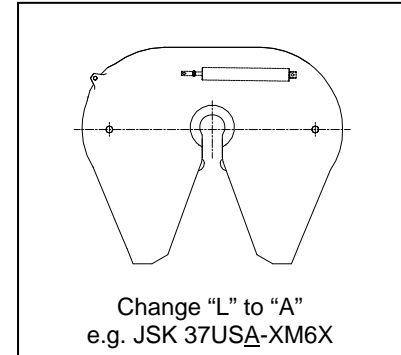
**Low Lube Plates**



**Auto Lube**



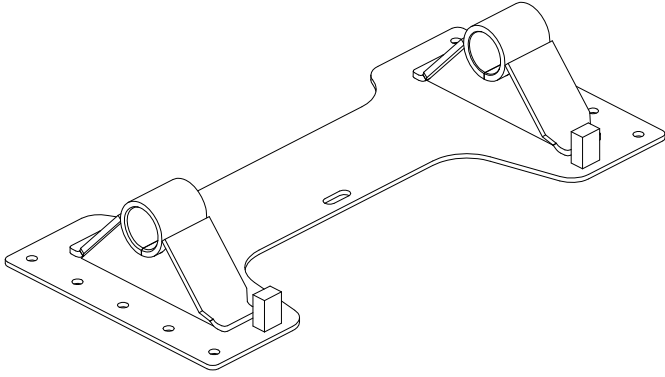
**Air Release**



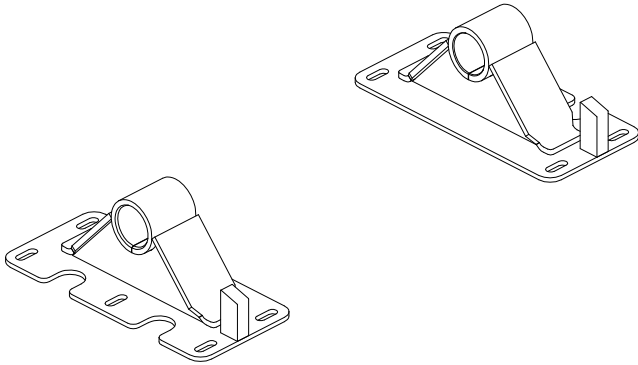
Height *	Weight	Model Number †
6"	275 lbs.	JSK 37USL-XM6X
7"	279 lbs.	JSK 37USL-XM7X
8"	284 lbs.	JSK 37USL-XM8X
9"	288 lbs.	JSK 37USL-XM9X

\* Nominal height shown, for actual height see line drawing above.

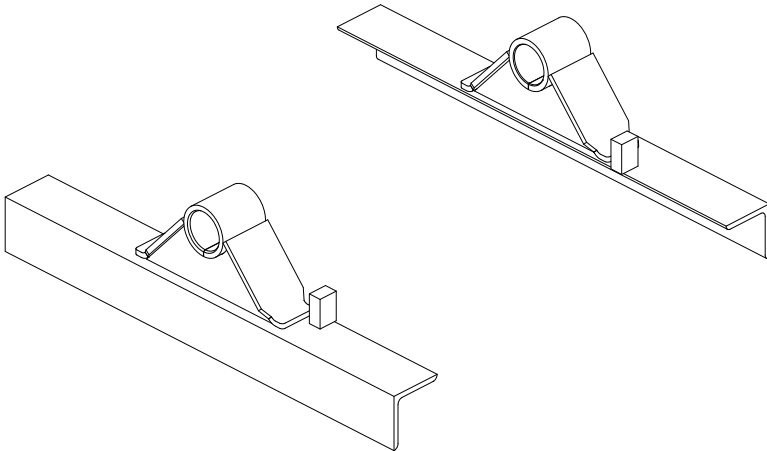
† Model numbers shown have standard topplate and left hand release.



<b>Outboard Flat Plate Mounting Bracket *</b>		
<b>JOIST</b> Order Number	Height	Weight
DB6X	6" F.W. Height	69 lbs.
DB7X	7" F.W. Height	74 lbs.
DB8X	8" F.W. Height	79 lbs.
DB9X	9" F.W. Height	85 lbs.
DB10X	10" F.W. Height	123 lbs.
DB11X	11" F.W. Height	137 lbs.

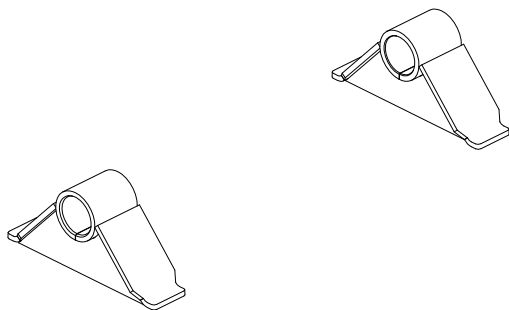


<b>Outboard Plate Mount Mounting Bracket *</b>		
<b>JOIST</b> Order Number	Height	Weight
PM6X	6" F.W. Height	51 lbs.
PM7X	7" F.W. Height	55 lbs.
PM8X	8" F.W. Height	60 lbs.
PM9X	9" F.W. Height	65 lbs.

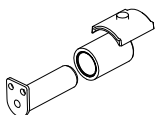


<b>Inboard Angle Mounting Bracket *</b>		
<b>JOIST</b> Order Number	Height	Weight
AM6G**	6" F.W. Height	84 lbs.
AM7G**	7" F.W. Height	88 lbs.
AM8G**	8" F.W. Height	93 lbs.
AM9G**	9" F.W. Height	99 lbs.

\*\*For other frame widths change "G" to appropriate letter shown on page 29. (e.g. AM6C)

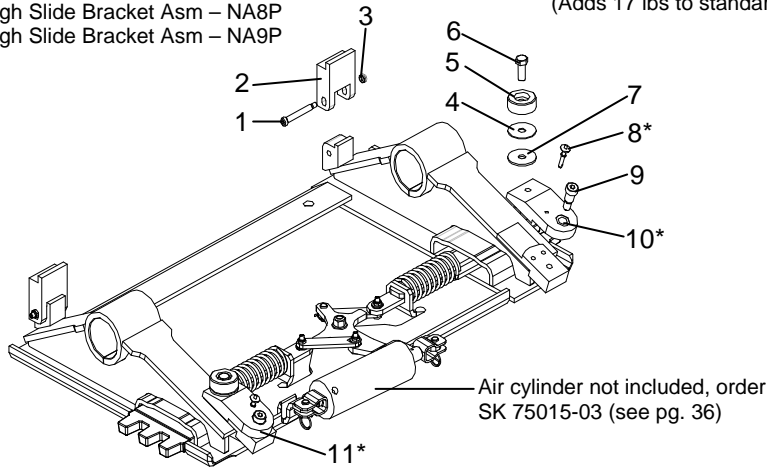


<b>Bracket * for Angle Mount</b>		
<b>JOIST</b> Order Number	Height	Weight
XM6X	6" F.W. Height	24 lbs.
XM7X	7" F.W. Height	28 lbs.
XM8X	8" F.W. Height	32 lbs.
XM9X	9" F.W. Height	37 lbs.



\*Pins, bushings & collars not included when ordering brackets only.

**Outboard Slide Bracket Assemblies**  
 8" High Slide Bracket Asm – NA8P  
 9" High Slide Bracket Asm – NA9P

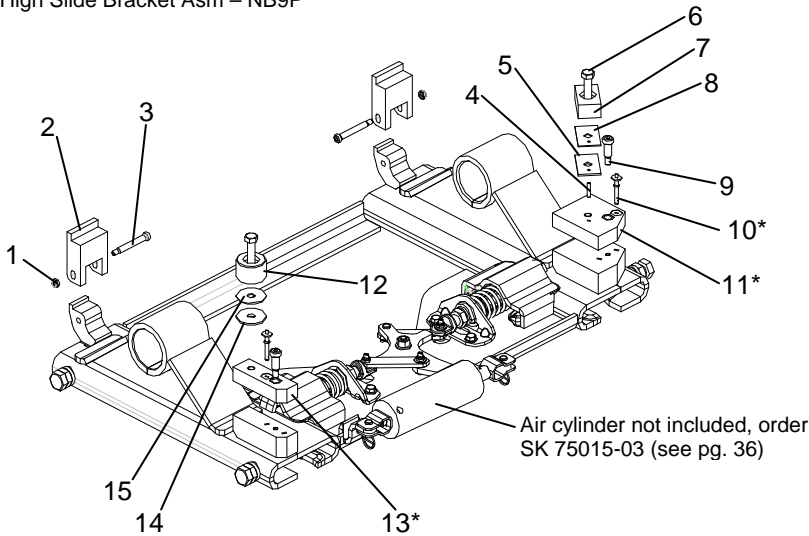


**OUTBOARD SLIDER PARTS**  
 (Adds 17 lbs to standard weight)

Item	Description	Part No.
1	2 1/2 lg. Shoulder Screw	SK-70201-02
2	Rear Stop – 8" height	SK-72066-01
3	Rear Stop – 9" height	SK-72066-02
4	Lock Nut	SK-70402-01
5	Thin Shim (round)	SK-72068-06
6	Front Stop – 8" height	SK-72065-08
7	Front Stop – 9" height	SK-72065-09
8	1/2-13 Screw – 8" height	SK-70202-08
9	1/2-13 Screw – 9" height	SK-70202-16
10*	Thick Shim (round)	SK-72068-12
11*	1/4" Dia. Pos. Lock Pin	SK-71022-02
8b*	Field Replacement Kit	SK-75069-20
9	3/4" lg. Shoulder Screw	SK-70201-14
10*	Right Front Tilt Stop Plate	SK-77084-02
10b*	Service Front Tilt Stop	SK-77084-00S
11*	Left Front Tilt Stop Plate	SK-77084-01
11b*	Service Front Tilt Stop	SK-77084-00S

\*For serial numbers up to, 23XX18XXXX, order: 8b, 10b, 11b

**Inboard Slide Bracket Assembly**  
 9" High Slide Bracket Asm – NB9P

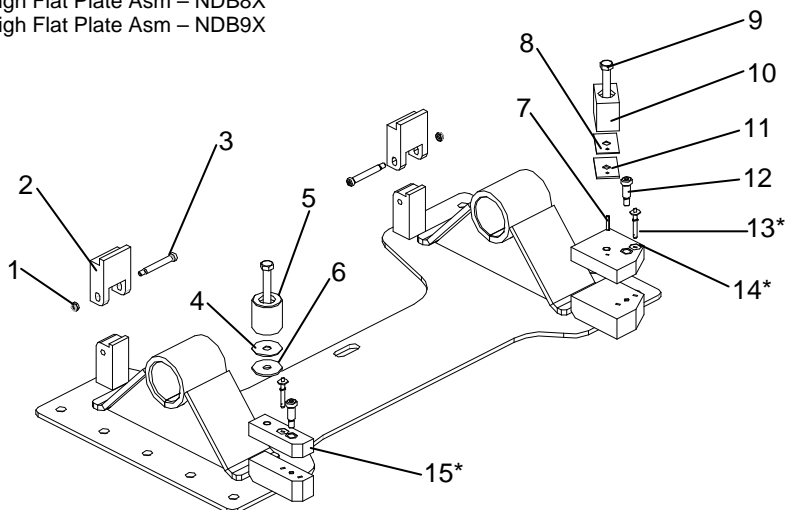


**INBOARD SLIDER PARTS**  
 (Adds 26 lbs to standard weight)

Item	Description	Part No.
1	Lock Nut	SK-70402-01
2	Rear Stop	SK-72066-01
3	2 1/2 lg. Shoulder Screw	SK-70201-02
4	Roll Pin	SK-70104-03
5	Thick Shim (rectangle)	SK-72069-12
6	1/2-13 Screw	SK-70202-26
7	L.H. Front Stop	SK-72067-29
8	Thin Shim (rectangle)	SK-72069-06
9	1 lg. Shoulder Screw	SK-70201-12
10*	1/4" Dia. Pos. Lock Pin	SK-71022-02
10b*	Field Replacement Kit	SK-75069-23
11*	LH Front Tilt Stop Plate	SK-72064-00
11b*	Service LH Front Tilt Stop	SK-72064-00S
12	RH Front Stop	SK-72065-29
13*	RH Front Tilt Stop Plate	SK-72063-00
13b*	Service RH Front Tilt Stop	SK-72063-00S
14	Thick Shim (round)	SK-72068-12
15	Thin Shim (round)	SK-72068-06

\*For serial numbers up to, 23XX40XXXX, order: 10b, 11b, 13b

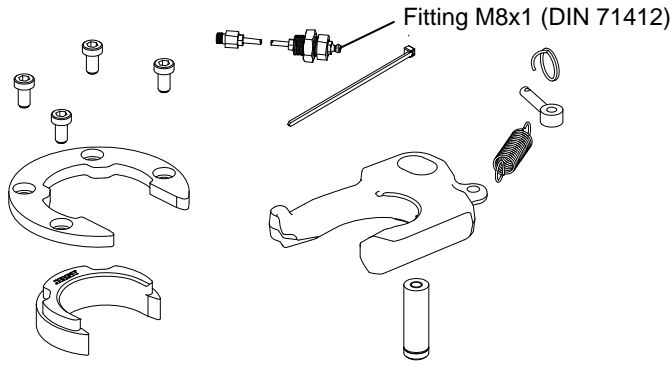
**Stationary Assemblies**  
 8" High Flat Plate Asm – NDB8X  
 9" High Flat Plate Asm – NDB9X



**STATIONARY PARTS**  
 (Adds 26 lbs to standard weight)

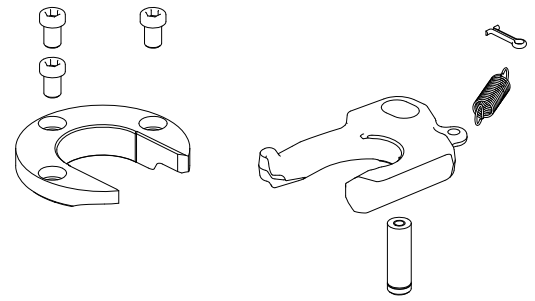
Item	Description	Part No.
1	Lock Nut	SK-70402-01
2	Rear Stop	SK-72066-01
3	2 1/2 lg. Shoulder Screw	SK-70201-02
4	Thin Shim (round)	SK-72068-06
5	RH Front Stop – 8" height	SK-72065-18
6	RH Front Stop – 9" height	SK-72065-19
7	Thick Shim (round)	SK-72068-12
8	Roll Pin	SK-70104-03
9	Thin Shim (rectangle)	SK-72069-06
10	1/2-13 Screw – 8" height	SK-70202-17
11	1/2-13 Screw – 9" height	SK-70202-18
12	LH Front Stop – 8" height	SK-72067-08
13*	LH Front Stop – 9" height	SK-72067-09
14*	Thick Shim (rectangle)	SK-72069-12
15*	1" lg. Shoulder Screw	SK-70201-12
13b*	1/4" Dia. Pos. Lock Pin	SK-71022-02
13b*	Field Replacement Kit	SK-75069-21
14*	LH Front Tilt Stop Plate	SK-72064-00
14b*	Service LH Front Tilt Stop	SK-72064-00S
15*	RH Front Tilt Stop Plate	SK-72063-00
15b*	Service RH Front Tilt Stop	SK-72063-00S

\*For serial numbers up to, 23XX40XXXX, order: 13b, 14b, 15b



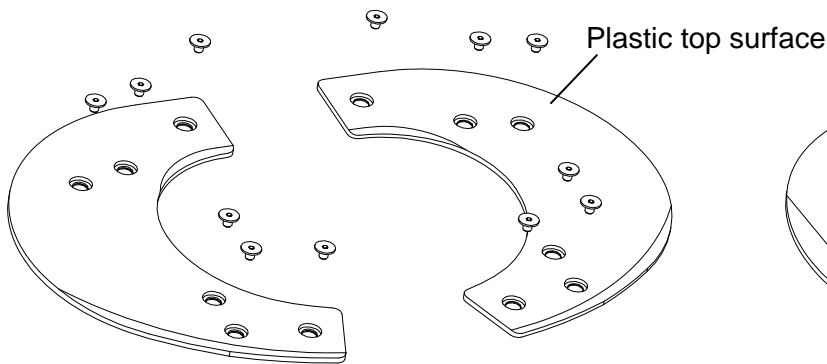
<b>JSK37 Series Cushion and Lock Jaw Rebuild Kit–L.H. only</b>	
<b>JOST</b> Order Number	Weight
SK 73221-50Z	6 lbs.

Includes: Ring, Eye bolt, Lock jaw spring, Lock jaw, Lock jaw pivot pin, Cushion ring insert, Cushion ring fixture, Lubrication kit, (4) Socket head cap screws



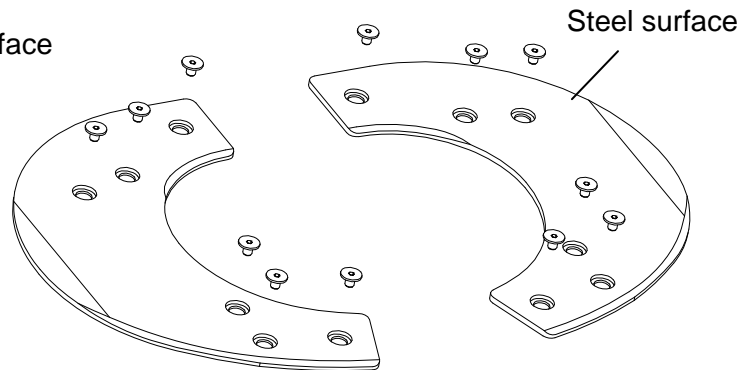
<b>JSK36 Series Wear Ring and Lock Jaw Rebuild Kit–L.H. only</b>	
<b>JOST</b> Order Number	Weight
SK 75013-05	7 lbs.

Includes: Cotter pin, Lock jaw spring, Lock jaw, Lock jaw pivot pin, Wear ring, (3) Socket head cap screws



<b>Composite Low Lube Plate Replacement Kit</b>	
<b>JOST</b> Order Number	Weight
SK 3106-003	10 lbs.

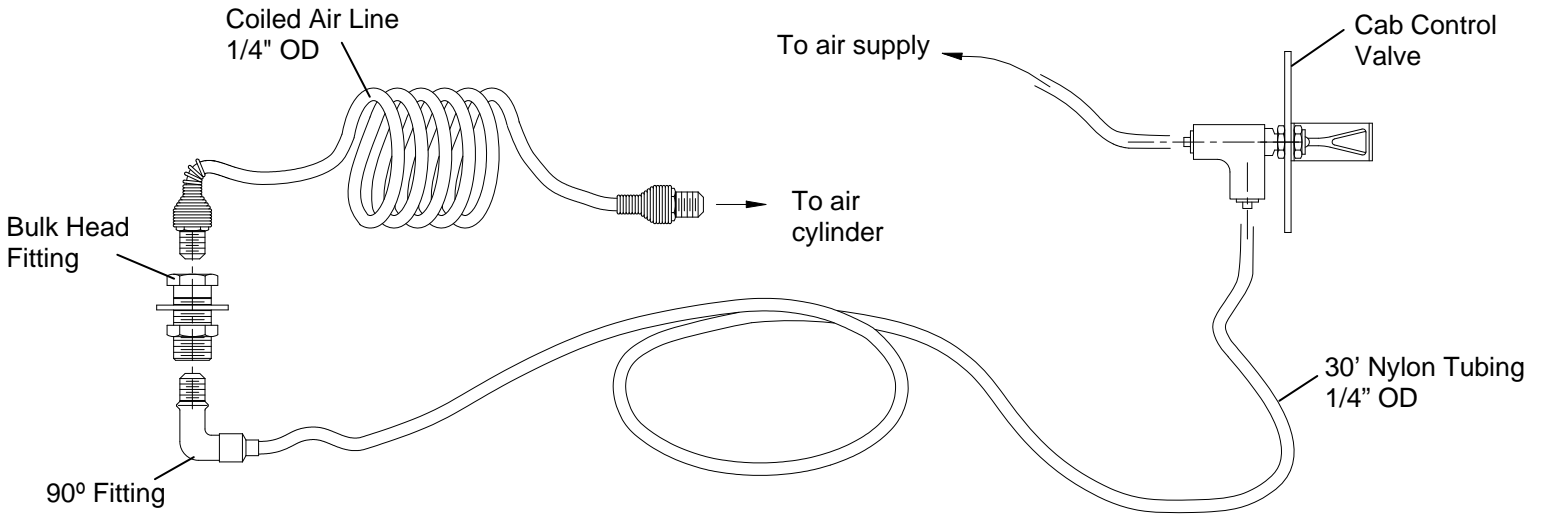
Includes: (2) Composite Plates, (12) Bolts



<b>Steel Liner Plate Replacement Kit</b>	
<b>JOST</b> Order Number	Weight
SK 79004-01	35 lbs.

Includes: (2) Steel Plates, (12) Bolts

Above kits fit Jost standard topplates: JSK37UWA, JSK37UWB, JSK37UWL & JSK37UWR



<b>Complete Air Slide Control and Air Line Kit</b>		
<b>JOIST</b> Order Number	Slide Travel	Weight
SK 75002-01	36" or less	2 lbs.
SK 75002-04	48" or more	2 lbs.

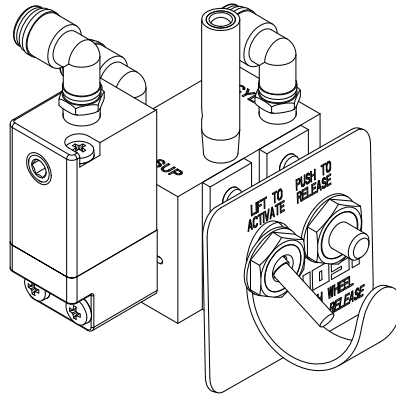
Includes: Cab Control Valve, 30' SAE JS44 type A Nylon Tubing, 90° Fitting, Bulk Head Fitting, Coiled Air Line, and Wire Ties

<b>Air Slide and Air Line Kit</b>		
<b>JOIST</b> Order Number	Slide Travel	Weight
SK 75002-02	36" or less	2 lbs.
SK 75002-16	48" or more	2 lbs.

Includes: Bulk Head Fitting, Coiled Air Line, Wire Ties

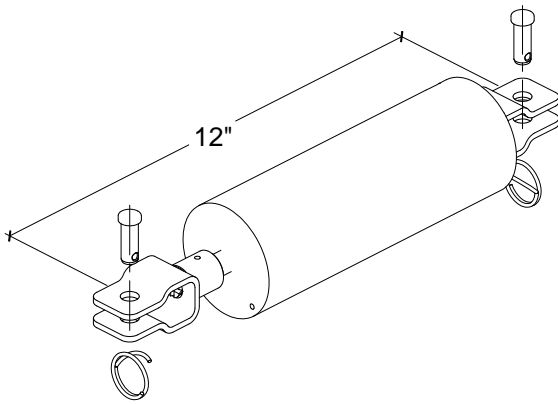
<b>Topplate Air Release Air Line Kit</b>		
<b>JOIST</b> Order Number	Fifth Wheel type	Weight
SK 75002-12	36" travel or less	1 lb.
	Stationary	
SK 75002-15	48" travel or more	1 lb.

Includes: 30' SAE JS44 type A Nylon Tubing, 90° Fitting, Bulk Head Fitting, Coiled Air Line



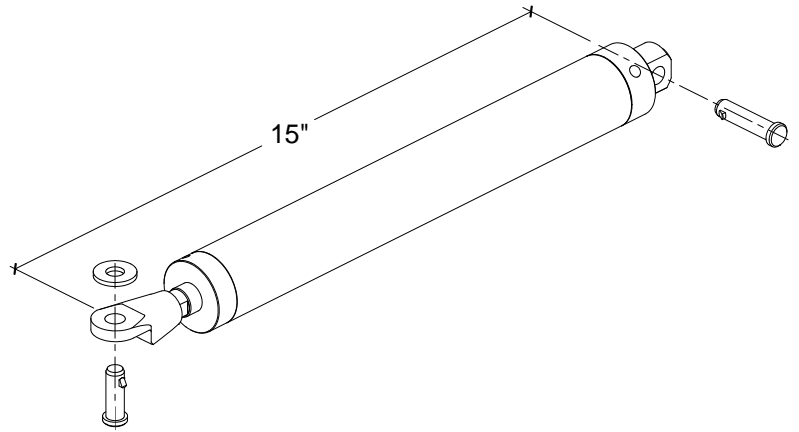
<b>Air Release Topplate Manifold Assembly Kit</b>	
Order Number	Weight
SK 75002-05	2 lbs.

Includes: Air Release Manifold Valve  
 Air Release Inversion Valve  
 Cab Control Plate  
 Finger Guard



<b>Sliding Fifth Wheel Air Cylinder</b>	
Order Number	Weight
SK 75015-03	4 lbs.

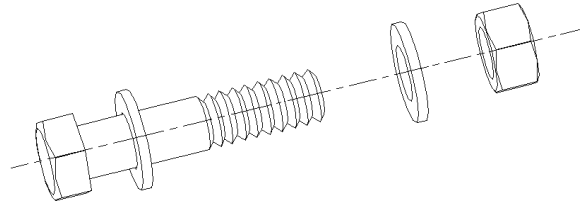
Includes: Composite cylinder & rod,  
 (2) Clevis Pins, (2) Retainers



<b>Air Release Topplate Standard Air Cylinder</b>	
Order Number	Weight
SK 75015-05	5 lbs.

Includes: Stainless Steel Air Cylinder,  
 Clevis, Long Clevis Pin,  
 Short Clevis Pin, Washer

Includes: 5/8" grade 8 fasteners  
 Hardened steel SAE washers  
 Grade C lock nuts

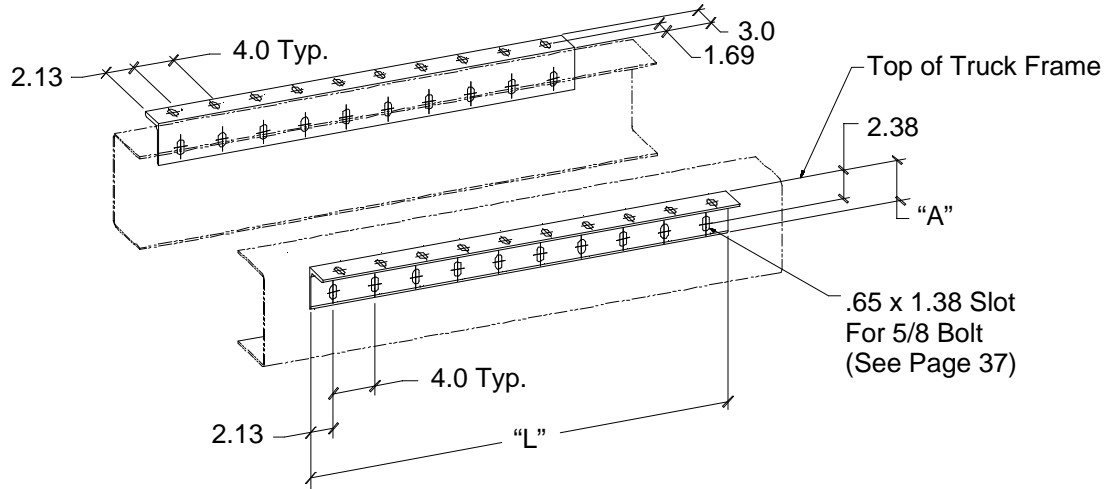


Note: Outboard sliding fifth wheel to mounting angle kits attach fifth wheel to mounting angles.  
 To attach mounting angle to tractor frame order a mounting angle to tractor frame hardware kit.

<b>Outboard Sliding Fifth Wheel To Mounting Angle Kits</b>			
Slide Travel	Fastener Qty.	Weight	<b>JOIST</b> Order Number
8"	18	7 lbs.	SK 75000-18
12"	20	8 lbs.	SK 75000-20
16"	22	9 lbs.	SK 75000-22
24"	26	11 lbs.	SK 75000-26
36"	32	14 lbs.	SK 75000-32
48"	38	16 lbs.	SK 75000-38

<b>Stationary Fifth Wheel To Mounting Angle Kit</b>			
Mounting Style	Fastener Qty.	Weight	<b>JOIST</b> Order Number
Flat Plate Mount	10	5 lbs.	SK 75001-10
Corrugated Mounting Plate	18	8 lbs.	SK 75017-18

<b>Mounting Angle To Tractor Frame Kits</b>			
Model Type	Fastener Qty.	Weight	<b>JOIST</b> Order Number
6"/8" Slider	8	4 lbs.	SK 75001-08
Stationary	10	5 lbs.	SK 75001-10
12" Slider			
18"/16" Slider	12	6 lbs.	SK 75001-12
24" Slider	14	6 lbs.	SK 75001-14
36" Slider	16	7 lbs.	SK 75001-16
48" Slider	18	8 lbs.	SK 75001-18



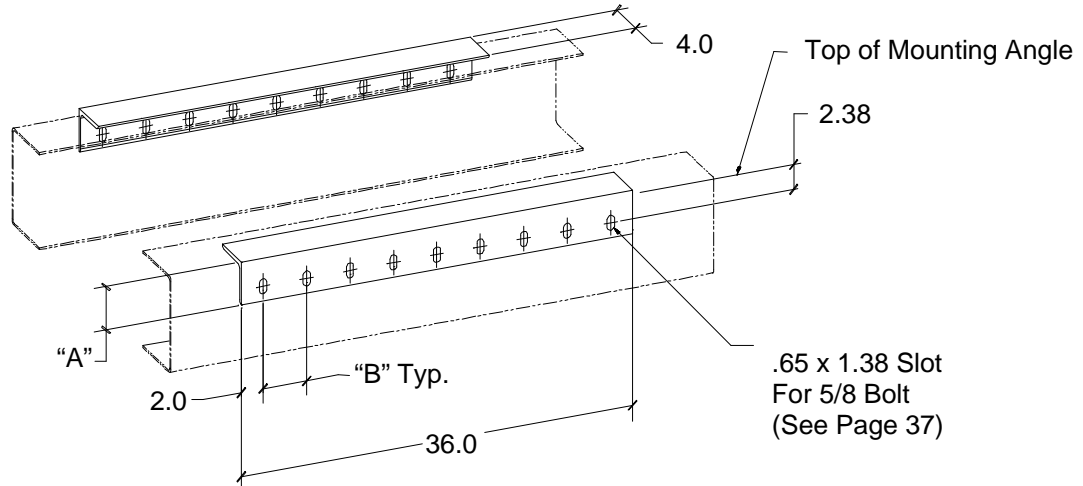
**Sliding Outboard Mounting Angle**

Material Type	Thickness	Slide Travel	"L" Length	"A" Leg	Weight Per Angle	<b>JOIST</b> Order Number* As shown	<b>JOIST</b> Order Number* w/out Frame Holes
Structural ASTM-A-36	5/16	8	36 1/4	4"	20 1/2 lbs.	SK 75007-08	SK 75052-08
		12	40 1/4	4"	22 lbs	SK 75007-12	SK 75052-12
		16	44 1/4	4"	24 1/2 lbs.	SK 75007-16	SK 75052-16
		24	52 1/4	4"	29 lbs.	SK 75007-24	SK 75052-24
		36	64 1/4	4"	35 1/2 lbs.	SK 75007-36	SK 75052-36
		48	76 1/4	4"	42 lbs.	SK 75007-48	SK 75052-48
	3/8	8	36 1/4	4"	23 1/2 lbs.	SK 75008-08	SK 75054-08
		12	40 1/4	4"	26 1/4 lbs.	SK 75008-12	SK 75054-12
		16	44 1/4	4"	29 lbs.	SK 75008-16	SK 75054-16
		24	52 1/4	4"	34 lbs.	SK 75008-24	SK 75054-24
		36	64 1/4	4"	42 lbs.	SK 75008-36	SK 75054-36
		48	76 1/4	4"	50 lbs.	SK 75008-48	SK 75054-48

Formed High Strength Low Alloy Steel	5/16	8	36 1/4	3 1/2"	17 1/2 lbs.	SK 75009-08
		12	40 1/4	3 1/2"	19 1/2 lbs.	SK 75009-12
		16	44 1/4	3 1/2"	21 1/2 lbs.	SK 75009-16
		24	52 1/4	3 1/2"	25 1/2 lbs.	SK 75009-24
		36	64 1/4	3 1/2"	31 lbs.	SK 75009-36
		48	76 1/4	3 1/2"	37 lbs.	SK 75009-48
	3/8	8	36 1/4	3 1/2"	22 lbs.	SK 75010-08
		12	40 1/4	3 1/2"	24 lbs.	SK 75010-12
		16	44 1/4	3 1/2"	26 lbs.	SK 75010-16
		24	52 1/4	3 1/2"	31 lbs.	SK 75010-24
		36	64 1/4	3 1/2"	38 lbs.	SK 75010-36
		48	76 1/4	3 1/2"	45 lbs.	SK 75010-48

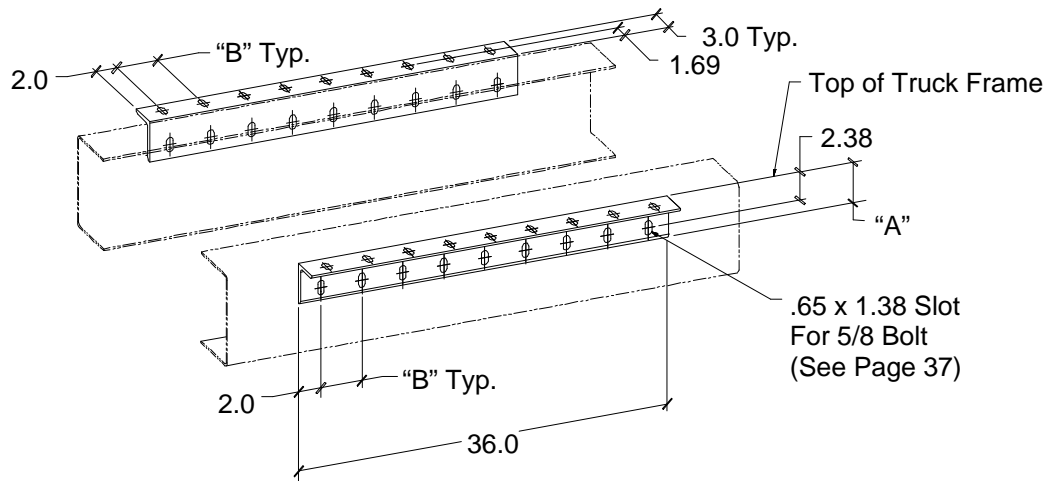
\* Order numbers include (1) piece only





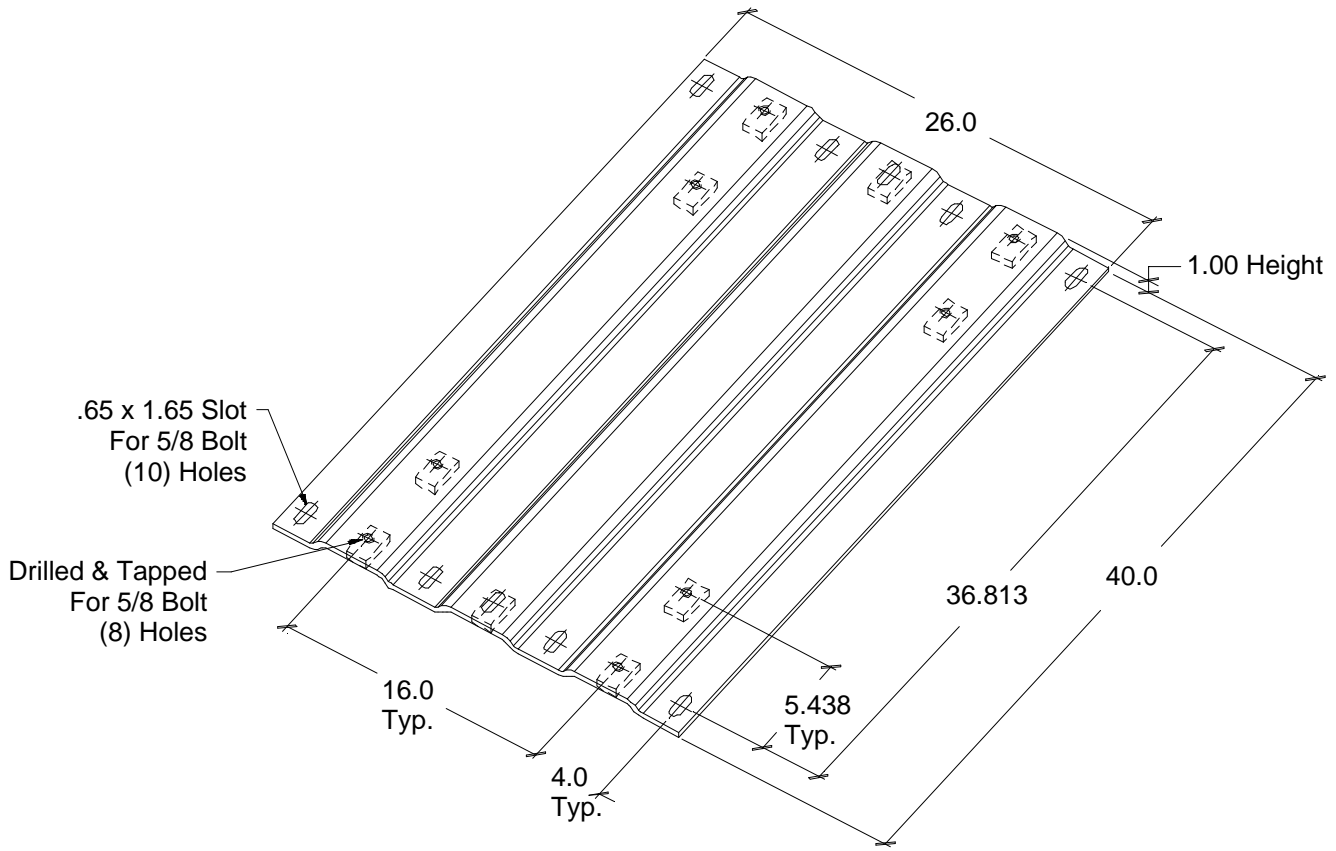
Stationary Inboard Mounting Angle					
Material Type	Thickness	"A" Leg	"B" Spacing	Weight Per Angle	<b>JOIST</b> Order Number*
Structural ASTM-A-36	5/16	4"	4"	23 1/2 lbs.	SK 75003-31
	3/8	4"	4"	28 1/2 lbs.	SK 75003-38
Formed High Strength Low Alloy Steel	5/16	3 1/2"	2"	20 1/2 lbs.	SK 75004-31
	3/8	3 1/2"	2"	25 lbs.	SK 75004-38


\* Order numbers include (1) piece only

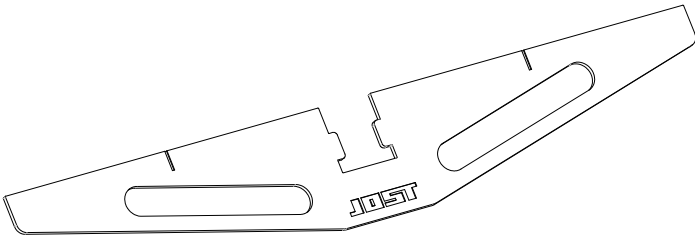


Stationary Outboard Mounting Angle						
Material Type	Thickness	"A" Leg	"B" Spacing	Weight Per Angle	<b>JOIST</b> Order Number* As shown	<b>JOIST</b> Order Number* w/out Frame Holes
Structural ASTM-A-36	5/16	4"	4"	19 1/2 lbs.	SK 75005-31	SK 75005-131
	3/8	4"	4"	24 lbs.	SK 75005-38	SK 75005-138
Formed High Strength Low Alloy Steel	5/16	3 1/2"	2"	16 lbs.	SK 75006-31	SK 75006-131
	3/8	3 1/2"	2"	20 lbs.	SK 75006-38	SK 75006-138

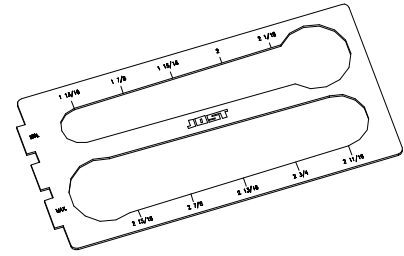
\* Order numbers include (1) piece only



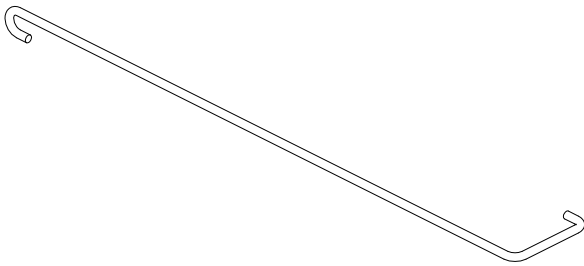
<b>CORRUGATED MOUNTING PLATE</b>	
	Weight
Order Number	99 lbs.
SK 75011-00	



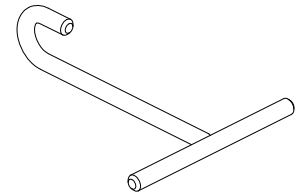
UPPER COUPLER GAGE	
<b>JUST</b> Order Number	Weight
SK 76001-05	30 lbs.



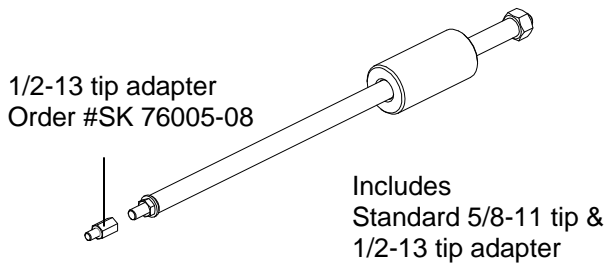
KINGPIN GAGE	
<b>JUST</b> Order Number	Weight
SK 76001-01	4 1/2 lbs.



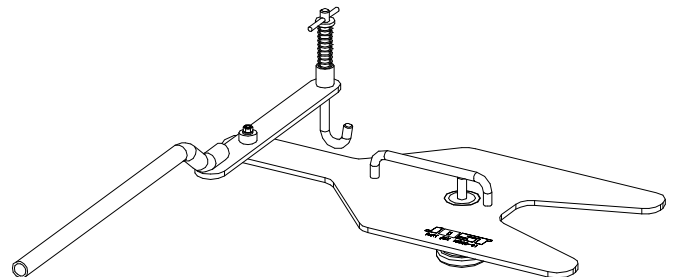
FIFTH WHEEL RELEASE HOOK	
<b>JUST</b> Order Number	Weight
SK 75021-00	1 1/4 lbs.



DOUBLE COIL SPRING TOOL	
<b>JUST</b> Order Number	Weight
SK 76003-00	1/4 lb.



BRACKET PIN SLIDE HAMMER	
<b>JUST</b> Order Number	Weight
SK 76005-01	19 lbs.



FIFTH WHEEL LOCK TESTER	
<b>JUST</b> Order Number	Weight
SK 76000-00	30 lbs.

*The reasons are simple.*

# JOST

## History of JOST



- 1952 Establishment of the factory for turntables in Neu-Isenburg, Germany
- 1956 Production of fifth wheels begins at JOST
- 1960 Production begins in South Africa  
Foundation of Great Britain Ltd. JOST
- 1970 Foundation of JOST Italia S.R.l.  
Foundation of JOST South Africa (Pty.) Ltd  
Foundation of JOST France  
Foundation of JOST Belgium NV



- 1980 **Foundation of JOST International Corp. in Grand Haven, Michigan**  
Foundation of JOST Iberica, Spain  
Foundation of Australia Pty JOST Ltd  
Production of landing gear doubles
- 1990 **Production of landing gear begins at Jost International**  
Foundation of JOST Far East Pte. Ltd  
Foundation of China JOST  
Foundation of JOST Brazil  
Foundation of Hungaria  
Introduction of new product offerings for container equipment and intermodal equipment



- 1999 **Production of fifth wheels begins in Greeneville, Tennessee**  
Acquisition of the Rockinger product line of tow bars and trailer hitches in Germany  
Foundation of JOST Rus  
Acquisition of REGENSBURGER  
Acquisition of Tridec Steering Solutions  
Foundation of JOST India  
Foundation of JOST Polska
- 2012 Foundation of JOST Japan  
Acquisition of Edbro Hydraulic Systems

# JOST



# Edbro

# JOST

JOST International  
1770 Hayes Street  
Grand Haven, MI 49417

Ph. 800-253-5105  
Fax (616) 846-0310  
[www.jostinternational.com](http://www.jostinternational.com)

LT SKCAT-01 RevM